

Innovative LED lights make you feel alive.



**NEW PRODUCT
2023**



LUMSET FZCO

Head office: IFZA free zone, Dubai Silicon Oasis,
Dubai, United Arab Emirates, Post code: 341041

ABOUT US

LUMSET-FZCO stands as a pioneering entity in the realm of cutting-edge lighting solutions, renowned for its commitment to innovation, quality, and sustainable practices. Established with a vision to illuminate the world with brilliance, LUMSET-FZCO has consistently pushed the boundaries of technological advancements in the lighting industry.

The company prides itself on a comprehensive portfolio of state-of-the-art lighting products and systems, catering to a diverse spectrum of clientele across various sectors, including advertising, commercial, and residential domains. With a primary focus on energy-efficient, eco-friendly lighting solutions, LUMSET-FZCO integrates the latest advancements in LED technology, smart lighting, and automation to deliver products that not only illuminate spaces but also contribute to environmental sustainability.

At the core of LUMSET-FZCO's philosophy is a relentless pursuit of excellence, reflected in its commitment to research and development, stringent quality control, and an unwavering dedication to customer satisfaction. The company's team of experts, engineers, and designers work collaboratively to create innovative lighting solutions tailored to meet the unique needs of each client, setting new benchmarks in the industry.

Driven by a passion for progress and a commitment to sustainability, LUMSET-FZCO continues to be a beacon of innovation, providing lighting solutions that illuminate spaces while embracing the future of technology and environmental responsibility.



What are the benefits of working with LUMSET-FZCO?

As a lighting company situated in Dubai International Free Zone, several strengths and advantages can directly benefit our clients:

- 1. Quality Products and Innovation:** LUMSET-FZCO prioritize innovation and high-quality products due to the competitive business environment. Clients can expect access to cutting-edge lighting solutions that leverage the latest technological advancements and design innovations.
- 2. International Standards Compliance:** Free Zones in Dubai are known for adhering to international quality and safety standards. LUMSET-FZCO supply products that comply with globally recognized standards, ensuring reliability and safety for their clients.
- 3. Competitive Pricing:** Due to tax benefits and cost efficiencies offered by the Free Zones, LUMSET-FZCO offers competitive pricing to clients without compromising on the quality of the products. This affordability can be an advantage for clients seeking high-quality lighting solutions at reasonable prices.
- 4. Customization and Tailored Solutions:** LUMSET-FZCO has the flexibility to offer customized lighting solutions tailored to specific client needs. Whether it's for commercial, residential, or industrial spaces, these companies can provide tailored solutions that meet individual requirements.
- 5. Efficient Logistics and Timely Delivery:** Free Zones in Dubai are strategically located with access to excellent infrastructure and logistics. This enables LUMSET-FZCO to ensure efficient supply chain management, timely deliveries, and streamlined logistics, ensuring that clients receive their orders promptly.
- 6. Support Services and After-Sales Care:** LUMSET-FZCO provides comprehensive support services and after-sales care. Clients can expect assistance with installation, maintenance, and any technical support needed, ensuring a positive and ongoing relationship with the lighting company.

Overall, clients collaborating with LUMSET-FZCO can expect top-quality, innovative products, customized solutions, efficient service, competitive pricing, and a reliable partnership that is focused on meeting their unique lighting needs.



CONTENTS

New

3-IN-1 SOLAR LIGHT	01-08
LED G4 G9 SERIES	09-19
LED BULB SERIES	20-28
LED TUBE LIGHT SERIES	29-30
LED PURIFICATION LIGHT	31-40
LED PANEL LIGHT SERIES	41-48
LED SMART HOME SERIES	49
TV SYNC STRIP LIGHT	50-53

3-IN-1 SOLAR LIGHT

Intelligent detection and switching DC/AC

DC/AC MODE

AC100-250V & SOLAR
AUTOMATIC CHANGE



Solar Panel
Automatic Chasing Sun



Manual control



Remote control



AC/DC
Automatic mode

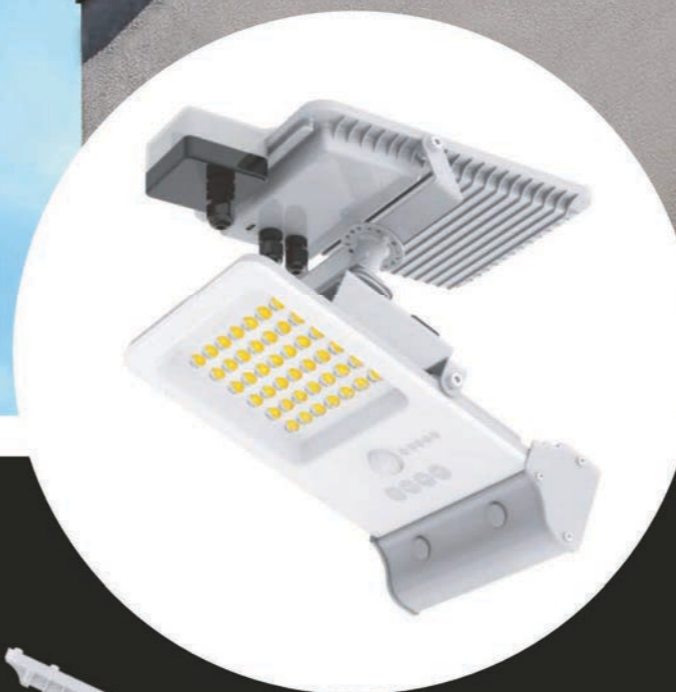


IP65

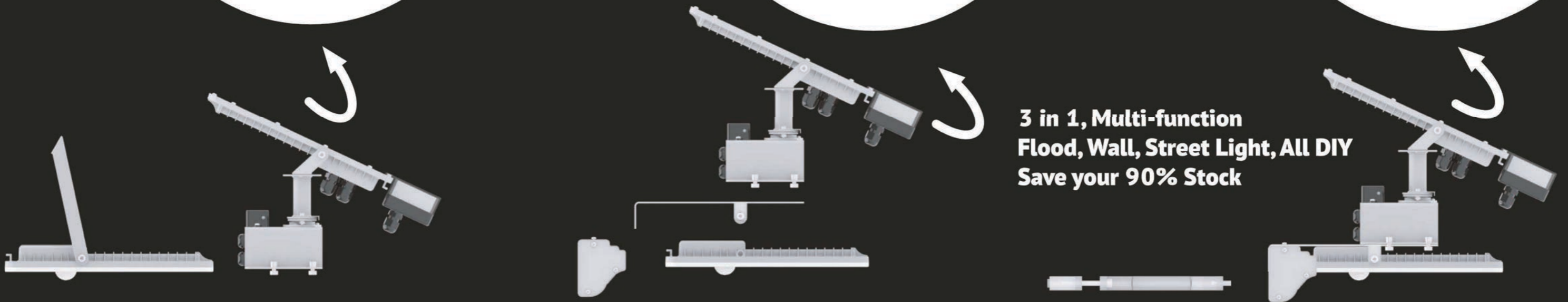
FLOOD LIGHT A.



WALL LIGHT B.



STREET LIGHT C.



**3 in 1, Multi-function
Flood, Wall, Street Light, All DIY
Save your 90% Stock**

A. FLOOD LIGHT

DC/AC MODE

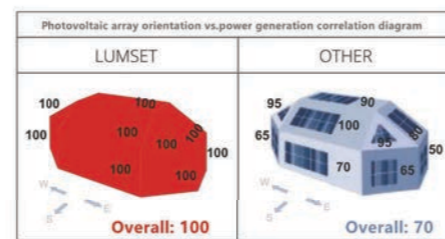
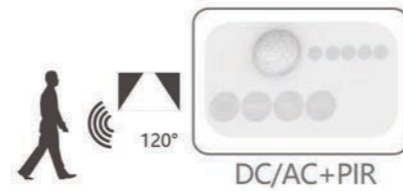
AC100-250V & SOLAR
AUTOMATIC CHANGE

Intelligent detection and switching DC/AC



PRODUCT DISPLAY

DC/AC+PIR

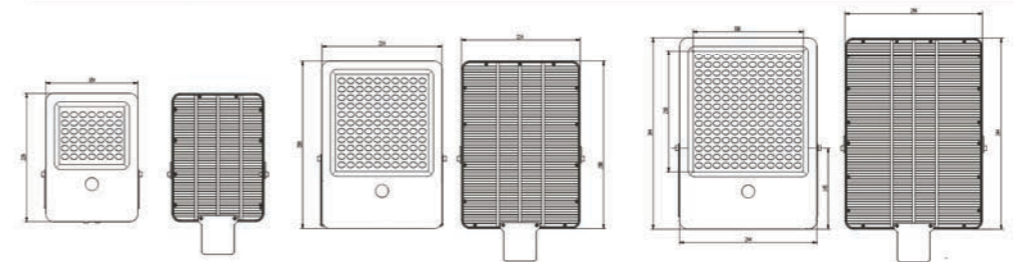


**Solar Panel
Automatic Chasing Sun**

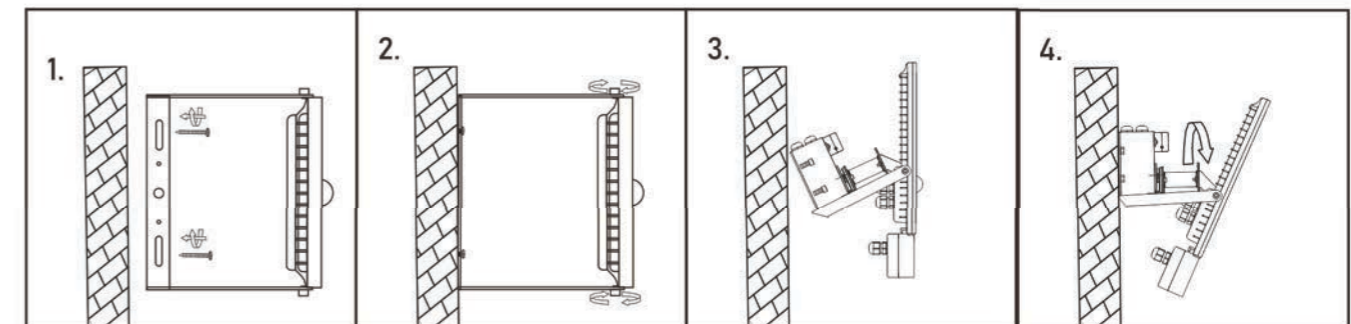
PRODUCT DATA

Model		FLOOD LIGHT
Lamp dimension(mm)		164×229×24.5/214×299×24.5/214×299×24.5/244×344×24.5
Luminous flux (Lm)		1000/2000/3000/4000
LED	Actual power	7W/15W/20W/30W
	Type	2835/84PCS LED chip 2835/220PCS LED chip 2835/220PCS LED chip 2835/336PCS LED chip
Lithium iron phosphate battery	Voltage	7.4V
	Capacity	1.8AH/3.6AH/3.6AH/5.4AH
Other power inputs	Voltage	AC 110-230V 50/60Hz
	Function	Emergency standby power
Solar panel	Power	5.5V 3W/ 6V 7W/ 6V 7W/ 6V 10W
	Monocrystalline/polycrystalline	Monocrystalline silicon
Light distribution characteristics		Nearly rectangular
Lightning protection level(conform to)		≥4000V
Wind resistance index		GB7000.5-6.31
Solar charging time		8-12H
Irradiated area		>100 m ²
Controller		PIR sensor
Installation Height		4-8 m
Sensor distance		6-10 m
CCT (K)		3000K/4000K/6000K
Color rendering index (Ra)		Ra > 80
IP rate		IP65
warranty		1 year

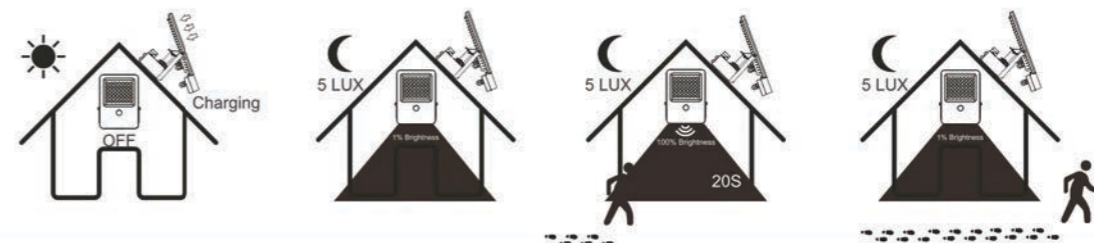
SHAPE SIZE



INSTALLATION

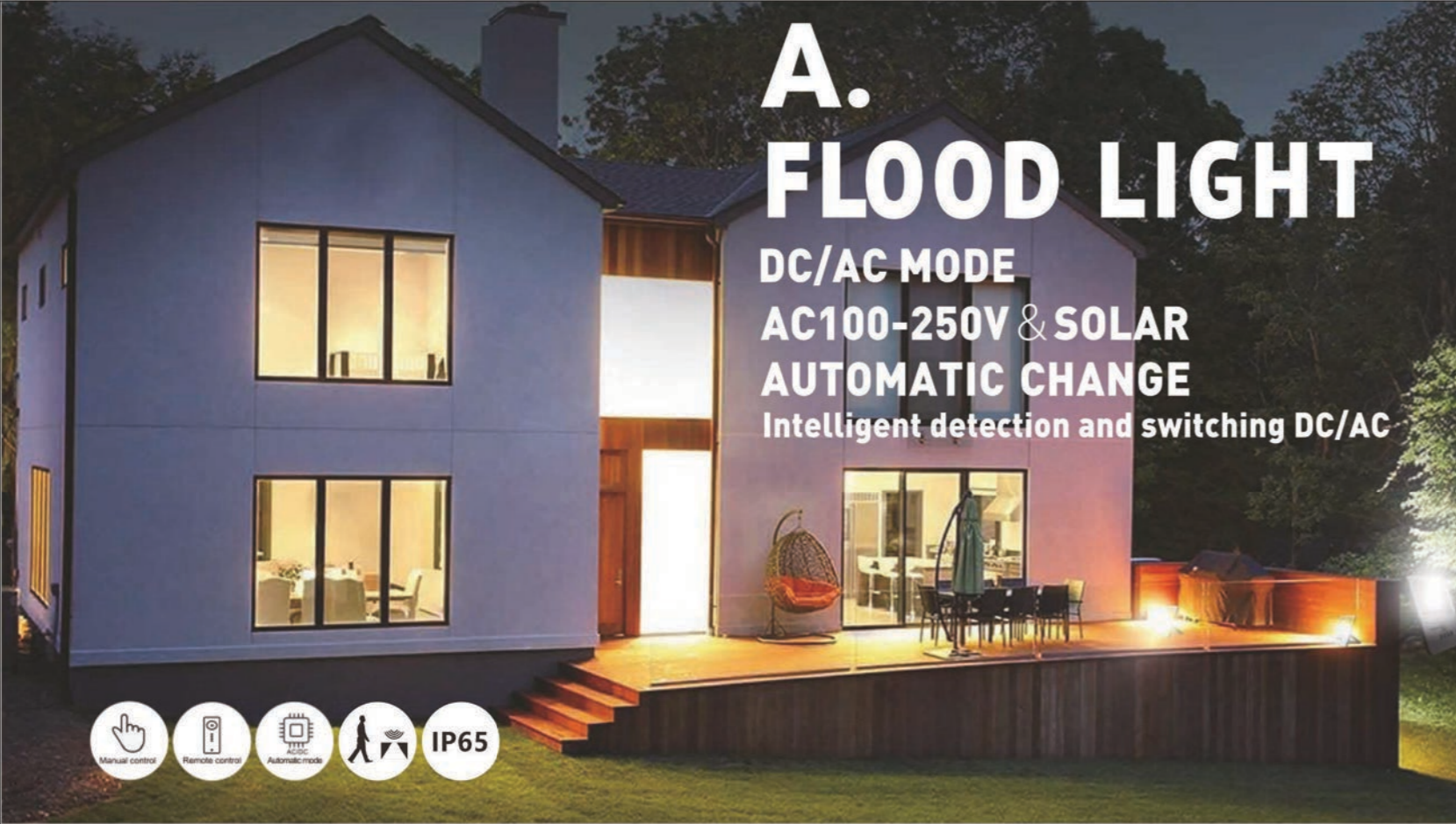


Operating Mode (Low Light Sensor Mode):



A. FLOOD LIGHT

DC/AC MODE
AC100-250V & SOLAR
AUTOMATIC CHANGE
Intelligent detection and switching DC/AC

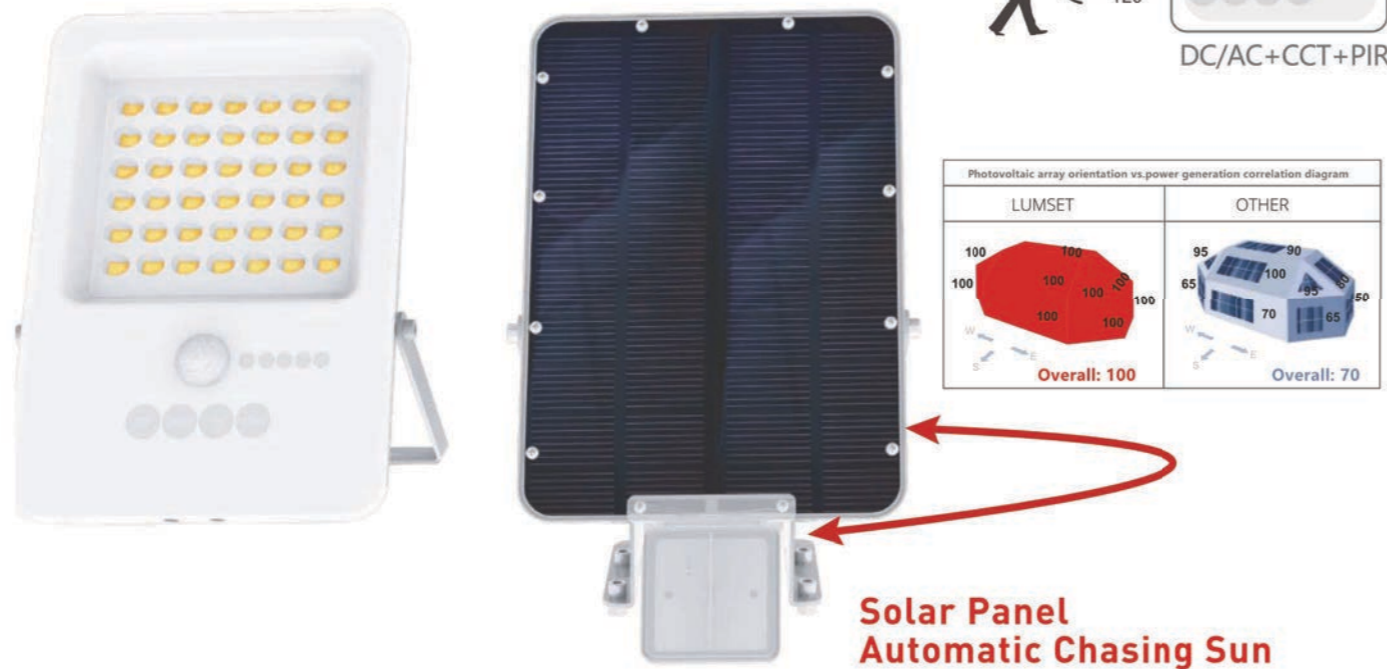


PRODUCT DATA

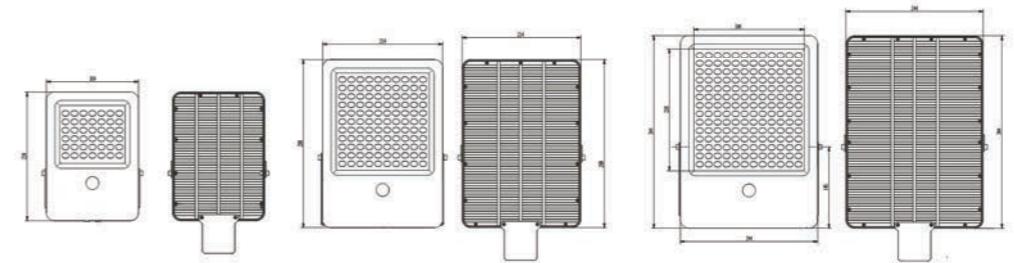
Model		FLOOD LIGHT
Lamp dimension(mm)		164×229×24.5/214×299×24.5/214×299×24.5/244×344×24.5
Luminous flux (Lm)		1000/2000/3000/4000
LED	Actual power	7W/15W/20W/30W
	Type	2835/84PCS LED chip 2835/220PCS LED chip 2835/220PCS LED chip 2835/336PCS LED chip
Lithium iron phosphate battery	Voltage	7.4V
	Capacity	1.8AH/3.6AH/3.6AH/5.4AH
Other power inputs	Voltage	AC 110-230V 50/60Hz
	Function	Emergency standby power
	Power	5.5V 3W/ 6V 7W/ 6V 7W/ 6V 10W
Solar panel	Monocrystalline/polycrystalline	Monocrystalline silicon
	Light distribution characteristics	Nearly rectangular
Lightning protection level(conform to)		≥4000V
Wind resistance index		GB7000.5-6.31
Solar charging time		8-12H
Irradiated area		>100 m ²
Controller		PIR sensor
Installation Height		4-8 m
Sensor distance		6-10 m
CCT (K)		3000-6000K
Color rendering index (Ra)		Ra > 80
IP rate		IP65
warranty		1 year

PRODUCT DISPLAY

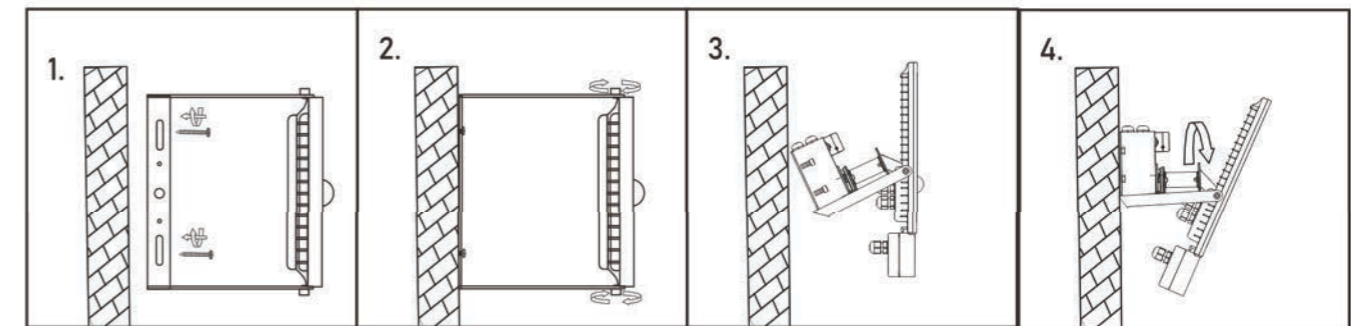
DC/AC+CCT+PIR



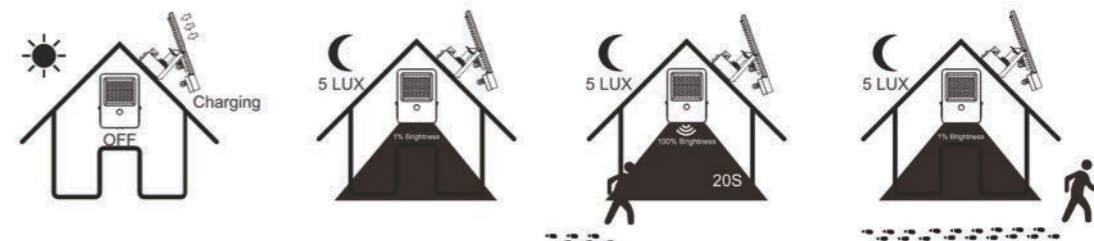
SHAPE SIZE



INSTALLATION



Operating Mode (Low Light Sensor Mode):



B. WALL LIGHT

DC/AC MODE

AC100-250V & SOLAR
AUTOMATIC CHANGE

Intelligent detection and switching DC/AC

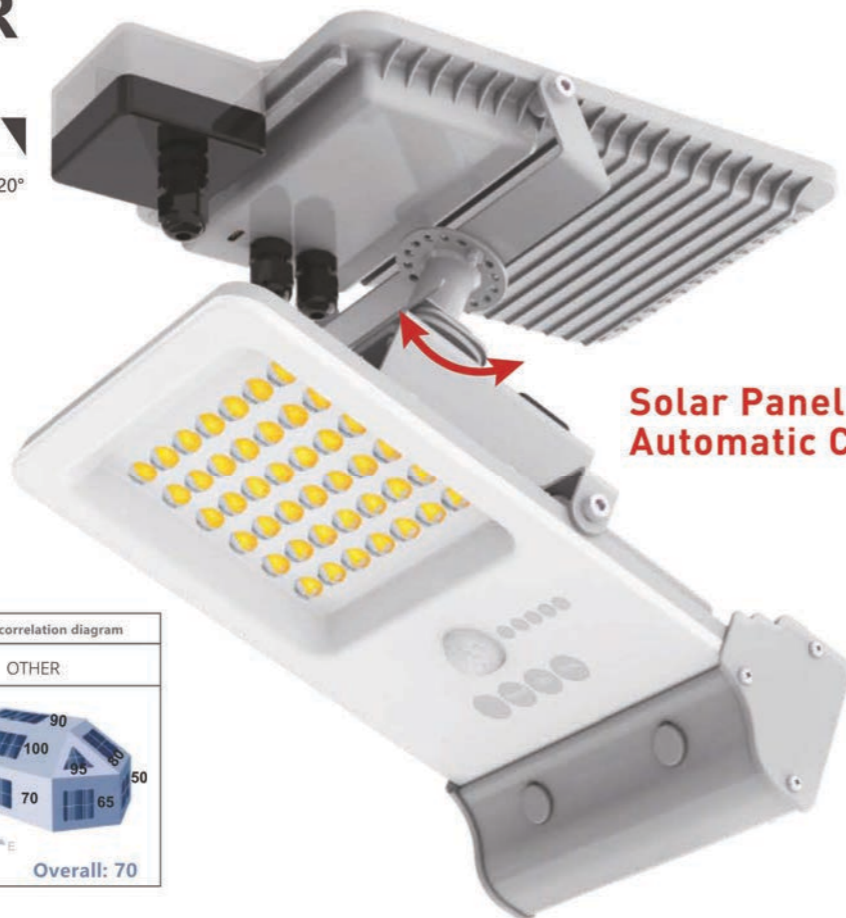
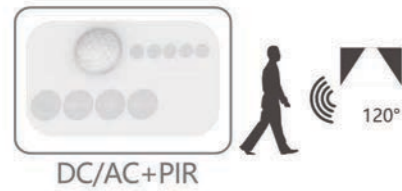


PRODUCT DATA

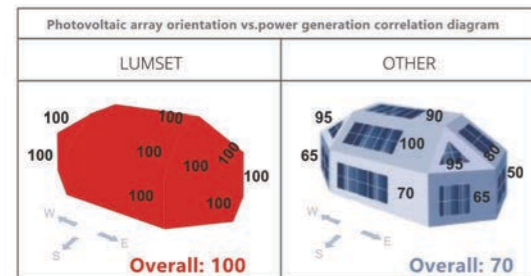
Model		WALL LIGHT
Lamp dimension(mm)		164×265×64.5/214×335×64.5/214×335×64.5/244×380×64.5
Luminous flux (Lm)		1000/2000/3000/4000
LED	Actual power	7W/15W/20W/30W
	Type	2835/84PCS LED chip 2835/220PCS LED chip 2835/220PCS LED chip 2835/336PCS LED chip
Lithium iron phosphate battery	Voltage	7.4V
	Capacity	1.8AH/3.6AH/3.6AH/5.4AH
Other power inputs	Voltage	AC 110-230V 50/60Hz
	Function	Emergency standby power
	Power	5.5V 3W/ 6V 7W/ 6V 7W/ 6V 10W
Solar panel		
	Monocrystalline/polycrystalline	Monocrystalline silicon
Light distribution characteristics		Nearly rectangular
Lightning protection level(conform to)		≥4000V
Wind resistance index		GB7000.5-6.31
Solar charging time		8-12H
Irradiated area		>100 m ²
Controller		PIR sensor
Installation Height		4-8 m
Sensor distance		6-10 m
CCT (K)		3000K/4000K/6000K
Color rendering index (Ra)		Ra > 80
IP rate		IP65
warranty		1 year

PRODUCT DISPLAY

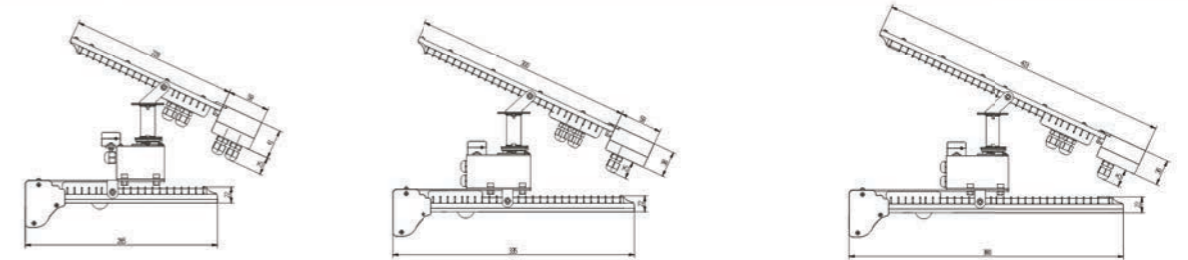
DC/AC+PIR



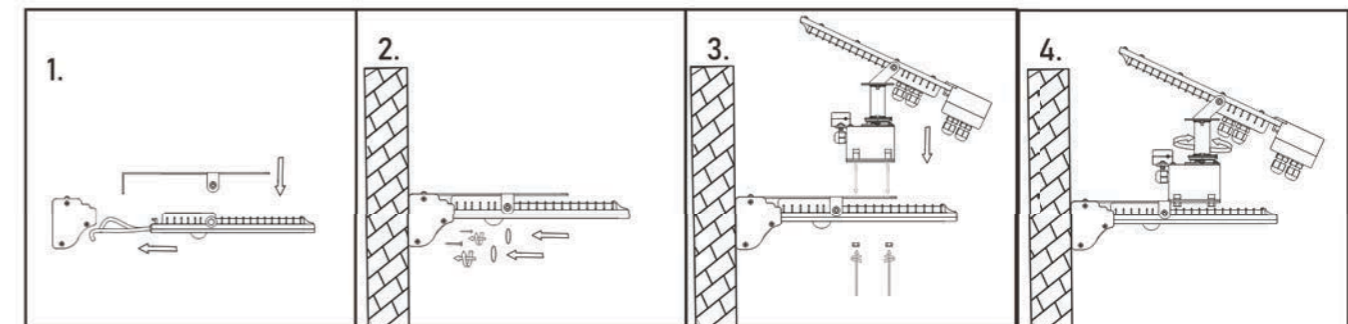
Solar Panel
Automatic Chasing Sun



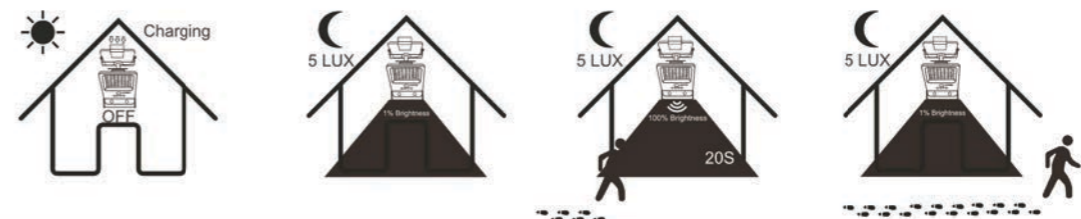
SHAPE SIZE



INSTALLATION



Operating Mode (Low Light Sensor Mode):



B. WALL LIGHT

DC/AC MODE

AC100-250V & SOLAR

AUTOMATIC CHANGE

Intelligent detection and switching DC/AC

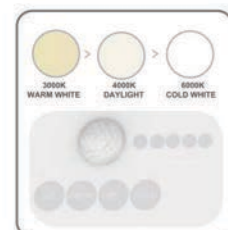


PRODUCT DATA

Model		WALL LIGHT
Lamp dimension(mm)		164×265×64.5/214×335×64.5/214×335×64.5/244×380×64.5
Luminous flux (Lm)		1000/2000/3000/4000
LED	Actual power	7W/15W/20W/30W
	Type	2835/84PCS LED chip 2835/220PCS LED chip 2835/220PCS LED chip 2835/336PCS LED chip
Lithium iron phosphate battery	Voltage	7.4V
	Capacity	1.8AH/3.6AH/3.6AH/5.4AH
Other power inputs	Voltage	AC 110-230V 50/60Hz
	Function	Emergency standby power
Solar panel	Power	5.5V 3W/ 6V 7W/ 6V 7W/ 6V 10W
	Monocrystalline/polycrystalline	Monocrystalline silicon
Light distribution characteristics		Nearly rectangular
Lightning protection level(conform to)		≥4000V
Wind resistance index		GB7000.5-6.31
Solar charging time		8-12H
Irradiated area		>100 m ²
Controller		PIR sensor
Installation Height		4-8 m
Sensor distance		6-10 m
CCT (K)		3000-6000K
Color rendering index (Ra)		Ra > 80
IP rate		IP65
warranty		1 year

PRODUCT DISPLAY

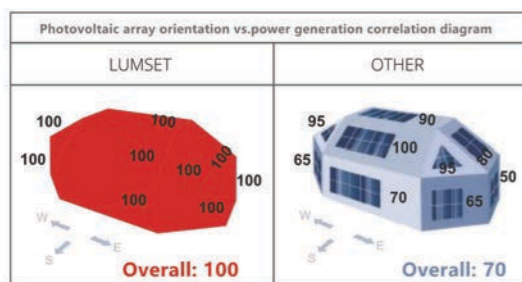
DC/AC+CCT+PIR



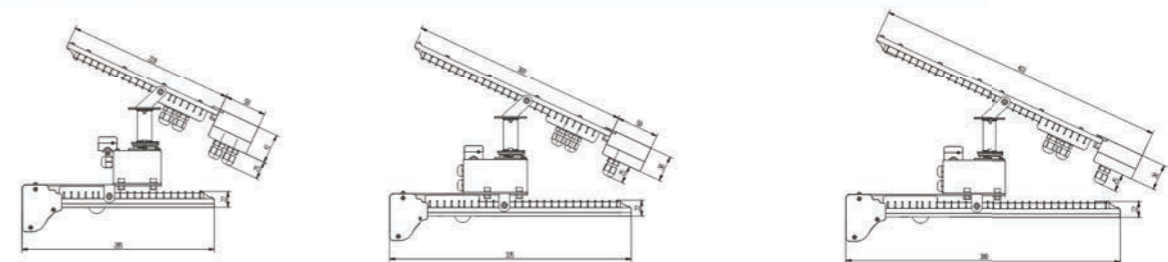
DC/AC+CCT+PIR



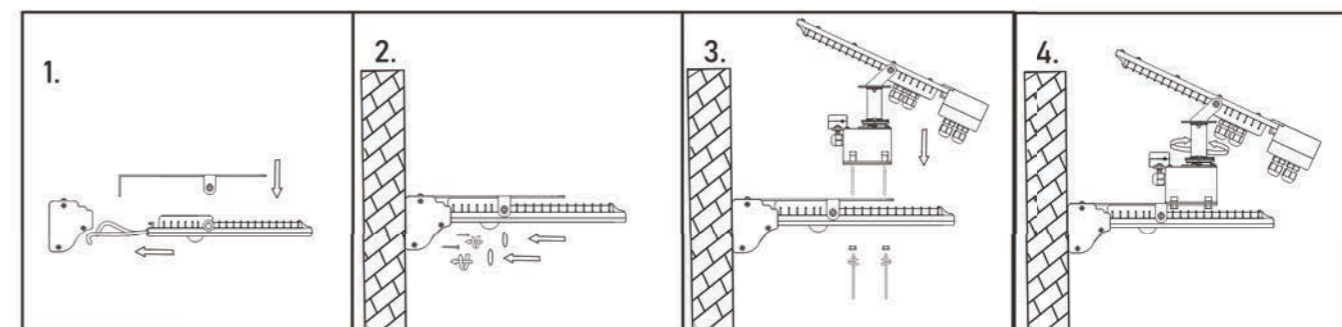
Solar Panel Automatic Chasing Sun



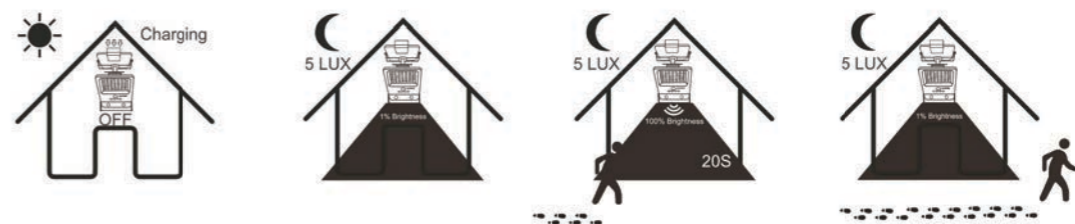
SHAPE SIZE



INSTALLATION



Operating Mode (Low Light Sensor Mode):



C. STREET LIGHT

DC/AC MODE

AC100-250V & SOLAR
AUTOMATIC CHANGE

Intelligent detection and switching DC/AC

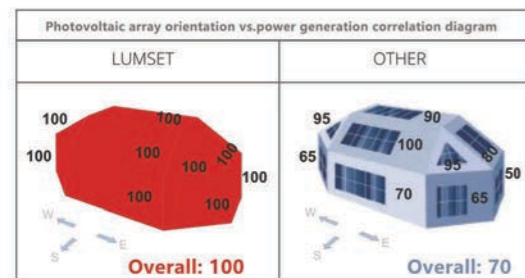
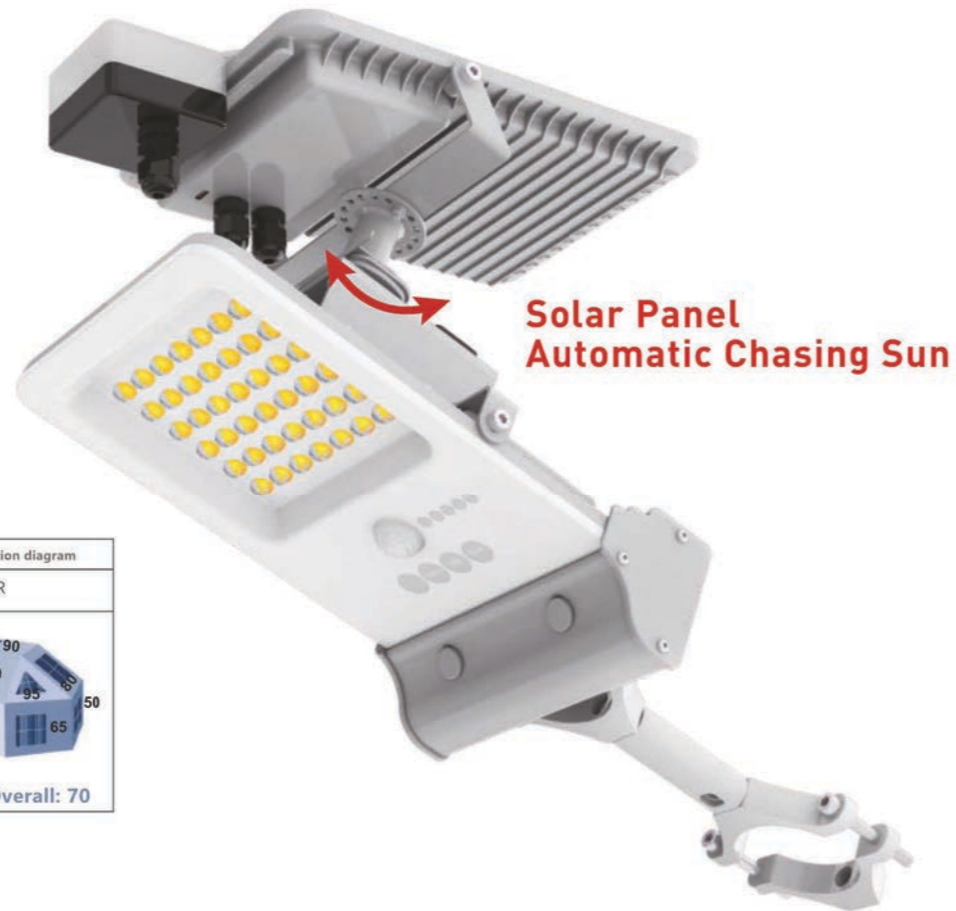
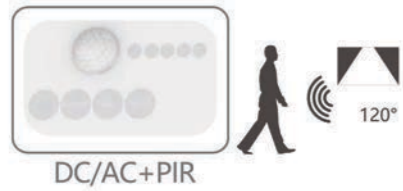


PRODUCT DATA

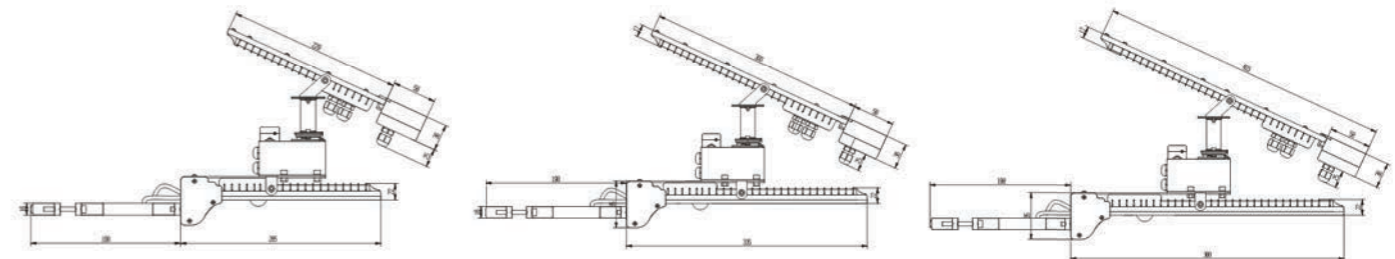
Model		STREET LIGHT
Lamp dimension(mm)		164×463×64.5/214×533×64.5/214×533×64.5/244×578×64.5
Luminous flux (Lm)		1000/2000/3000/4000
LED	Actual power	7W/15W/20W/30W
	Type	2835/84PCS LED chip 2835/220PCS LED chip 2835/220PCS LED chip 2835/336PCS LED chip
Lithium iron phosphate battery	Voltage	7.4V
	Capacity	1.8AH/3.6AH/3.6AH/5.4AH
Other power inputs	Voltage	AC 110-230V 50/60Hz
	Function	Emergency standby power
Solar panel	Power	5.5V 3W/ 6V 7W/ 6V 7W/ 6V 10W
	Monocrystalline/polycrystalline	Monocrystalline silicon
Light distribution characteristics		Nearly rectangular
Lightning protection level(conform to)		≥4000V
Wind resistance index		GB7000.5-6.31
Solar charging time		8-12H
Irradiated area		>100 m ²
Controller		PIR sensor
Installation Height		4-8 m
Sensor distance		6-10 m
CCT (K)		3000K/4000K/6000K
Color rendering index (Ra)		Ra > 80
IP rate		IP65
warranty		1 year

PRODUCT DISPLAY

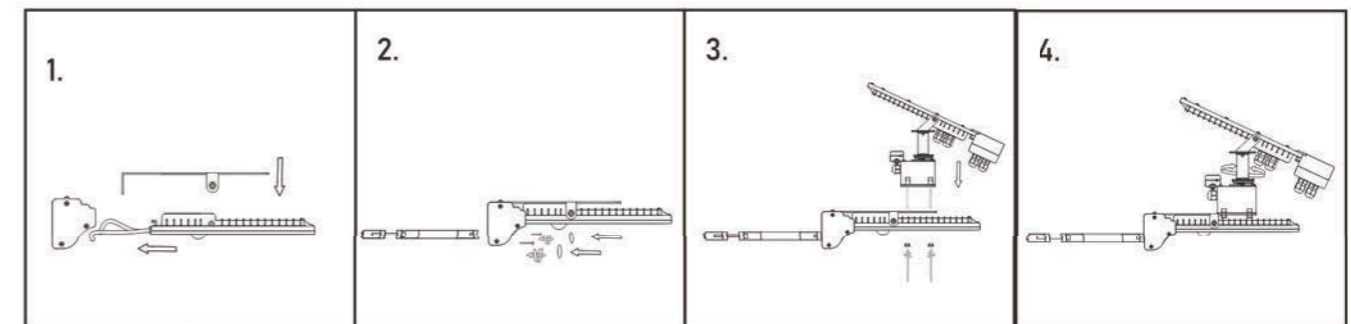
DC/AC+PIR



SHAPE SIZE



INSTALLATION



Operating Mode (Low Light Sensor Mode):



C. STREET LIGHT

DC/AC MODE

AC100-250V & SOLAR

AUTOMATIC CHANGE

Intelligent detection and switching DC/AC

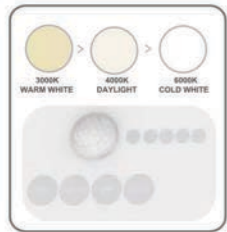


PRODUCT DATA

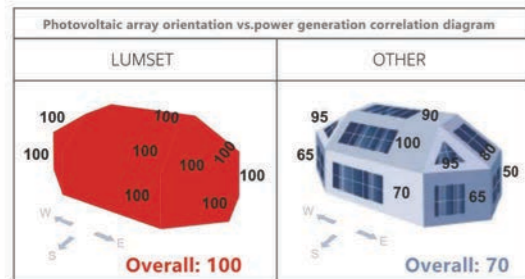
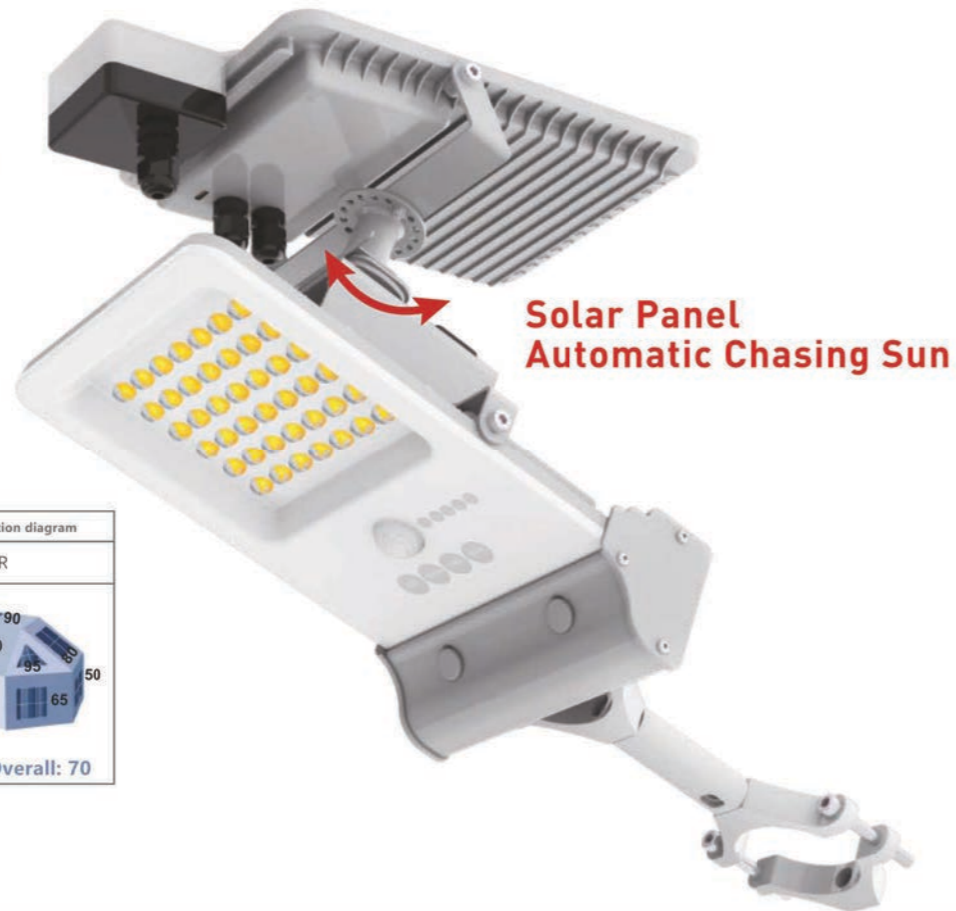
Model		STREET LIGHT
Lamp dimension(mm)		164×463×64.5/214×533×64.5/214×533×64.5/244×578×64.5
Luminous flux (Lm)		1000/2000/3000/4000
LED	Actual power	7W/15W/20W/30W
	Type	2835/84PCS LED chip 2835/220PCS LED chip 2835/220PCS LED chip 2835/336PCS LED chip
Lithium iron phosphate battery	Voltage	7.4V
	Capacity	1.8AH/3.6AH/3.6AH/5.4AH
Other power inputs	Voltage	AC 110-230V 50/60Hz
	Function	Emergency standby power
Solar panel	Power	5.5V 3W/ 6V 7W/ 6V 7W/ 6V 10W
	Monocrystalline/polycrystalline	Monocrystalline silicon
Light distribution characteristics		Nearly rectangular
Lightning protection level(conform to)		≥4000V
Wind resistance index		GB7000.5-6.31
Solar charging time		8-12H
Irradiated area		>100 m ²
Controller		PIR sensor
Installation Height		4-8 m
Sensor distance		6-10 m
CCT (K)		3000-6000K
Color rendering index (Ra)		Ra > 80
IP rate		IP65
warranty		1 year

PRODUCT DISPLAY

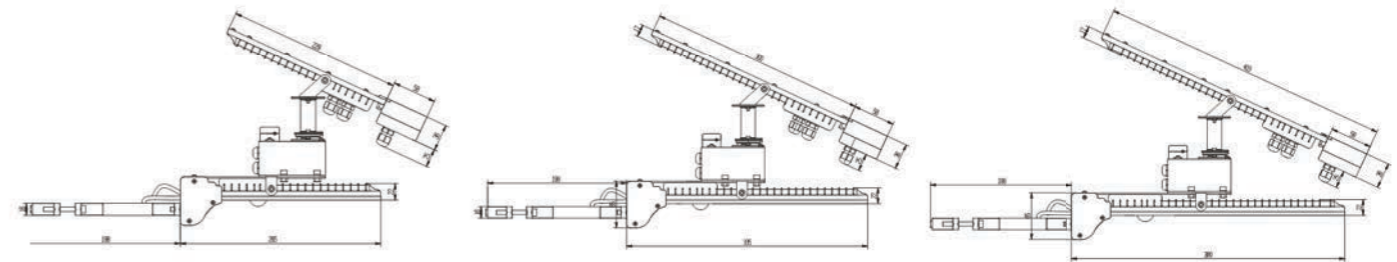
DC/AC+CCT+PIR



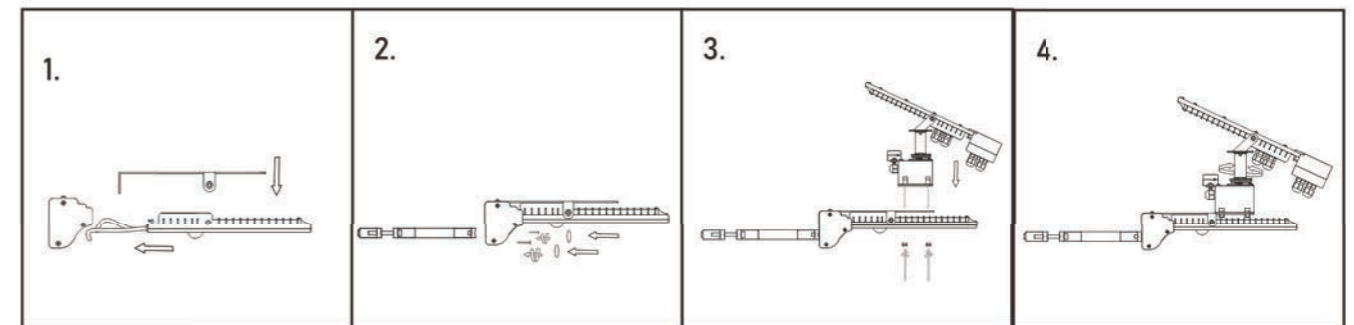
DC/AC+CCT+PIR



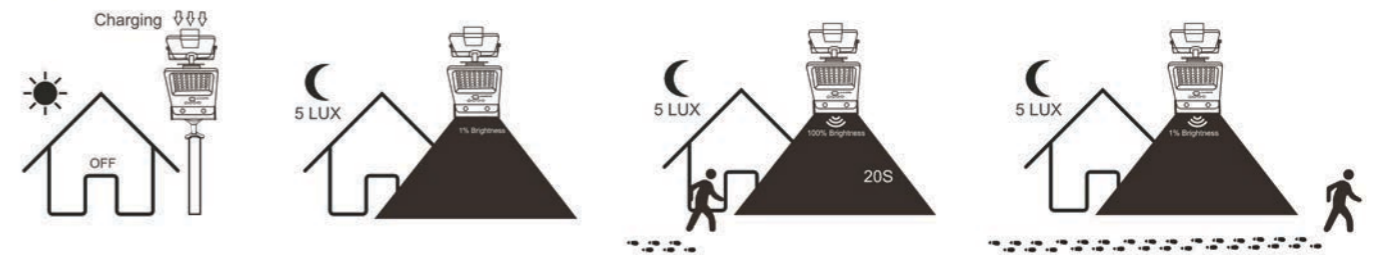
SHAPE SIZE



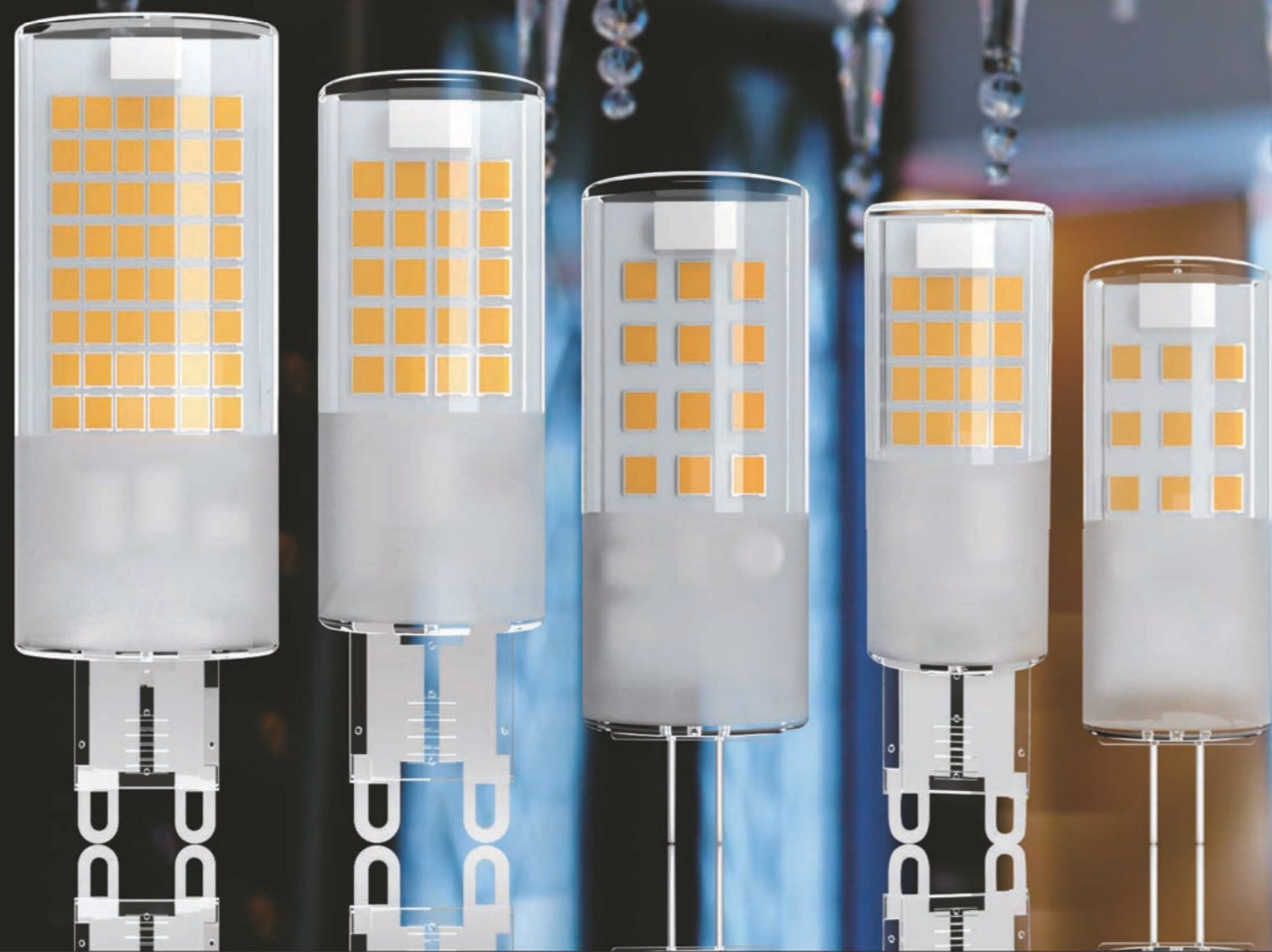
INSTALLATION



Operating Mode (Low Light Sensor Mode):



LED G4 G9 SERIES



LED G4

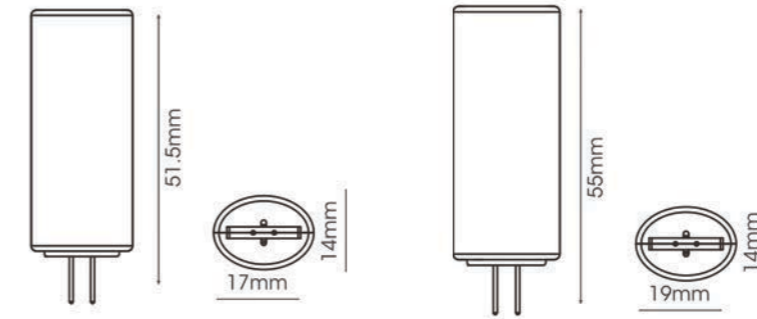


PRODUCT DATA

MODE NO.	G4
Dimension	17x51.5mm/19x55mm
Base Type	G4
Watt	1.5W/2W/2.8W/3.6W
Lument10% (LM)	180/250/350/480lm
CCT	2700K/4000K/6500K
CRI	>85
Lifespan	25000H
Angle	360°
Voltage	AC/DC10-14V
PF	\

SHAPE SIZE

PRODUCT DISPLAY



Product Features

Plastic

Applications

Lamp is suitable for Houses, Offices, Stores, Hotels, Restaurants, Schools, Supermarkets.

Caution

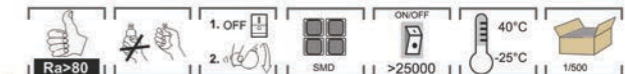
Please do not touch the surface
Please turn off the power before changing the light bulb
Do not use in wet conditions
Do not install with the enclosed lamp

PACKAGE

1pcs/Paper Box → 500pcs/Master Carton

G4 1.5W/2W
Single Box: 20x15x65mm
Carton: 430x405x95mm

G4 2.8W/3.6W
Single Box: 20x15x65mm
Carton: 430x405x95mm



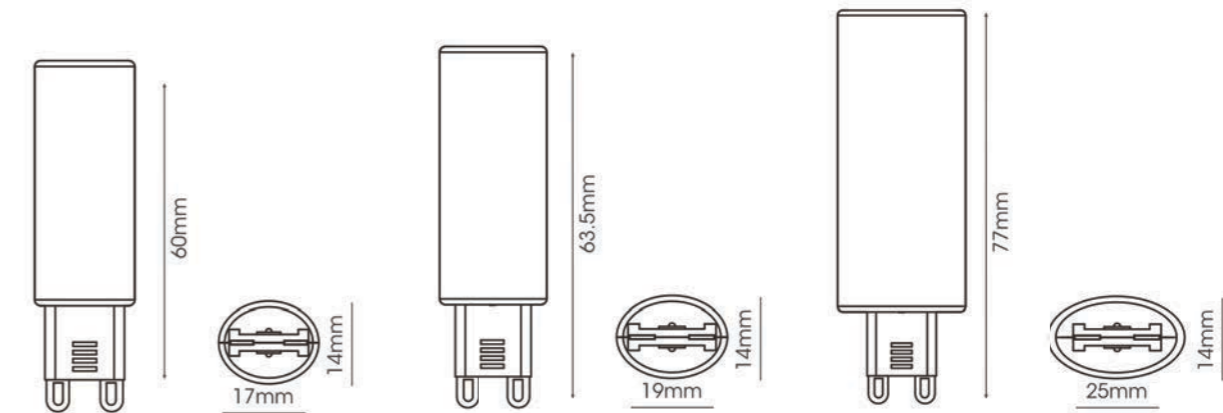
LED G9



PRODUCT DATA

MODE NO.	G9
Dimension	17x60mm/19x63.5mm/25x77mm
Base Type	G9
Watt	1.8W/2.8W/4W/4.8W/6W/7W
Lument10% (LM)	200/340/480/550/750/875lm
CCT	2700K/4000K/6500K
CRI	>85
Lifespan	25000H
Angle	360°
Voltage	AC220-240V
PF	0.5

SHAPE SIZE



PRODUCT DISPLAY



Product Features

Plastic

Applications

Lamp is suitable for Houses, Offices, Stores, Hotels, Restaurants, Schools, Supermarkets.

Caution

Please do not touch the surface
Please turn off the power before changing the light bulb
Do not use in wet conditions
Do not install with the enclosed lamp

PACKAGE

1pcs/Paper Box → 500pcs/Master Carton

G9 1.8W/2.8W
Single Box: 20x15x65mm
Carton: 430x405x95mm

G9 4W/4.8W
Single Box: 20x15x65mm
Carton: 430x405x95mm

G9 6W/7W
Single Box: 25x15x80mm
Carton: 530x405x100mm



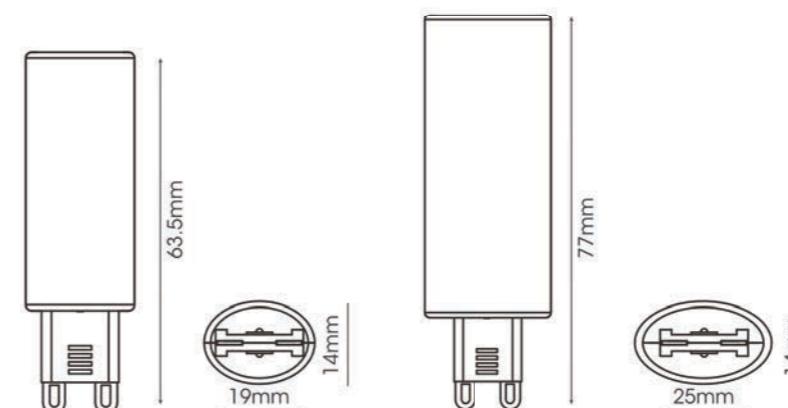
G9-Dimmable



PRODUCT DATA

MODE NO.	G9-Dimmable
Dimension	19x63.5mm/25x77mm
Base Type	G9
Watt	2.5W/3.5W
Lument10% (LM)	275/380lm
CCT	2700-6500K
CRI	>80
Lifespan	25000H
Angle	360°
Voltage	AC220-240V
PF	0.5

SHAPE SIZE



PRODUCT DISPLAY



Product Features

Plastic

Applications

Lamp is suitable for Houses, Offices, Stores, Hotels, Restaurants, Schools, Supermarkets.

Caution

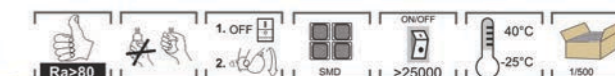
Please do not touch the surface
Please turn off the power before changing the light bulb
Do not use in wet conditions
Do not install with the enclosed lamp

PACKAGE

1pcs/Paper Box → 500pcs/Master Carton

G9 2.5W
Single Box: 20x15x65mm
Carton: 430x405x95mm

G9 3.5W
Single Box: 25x15x80mm
Carton: 530x405x100mm



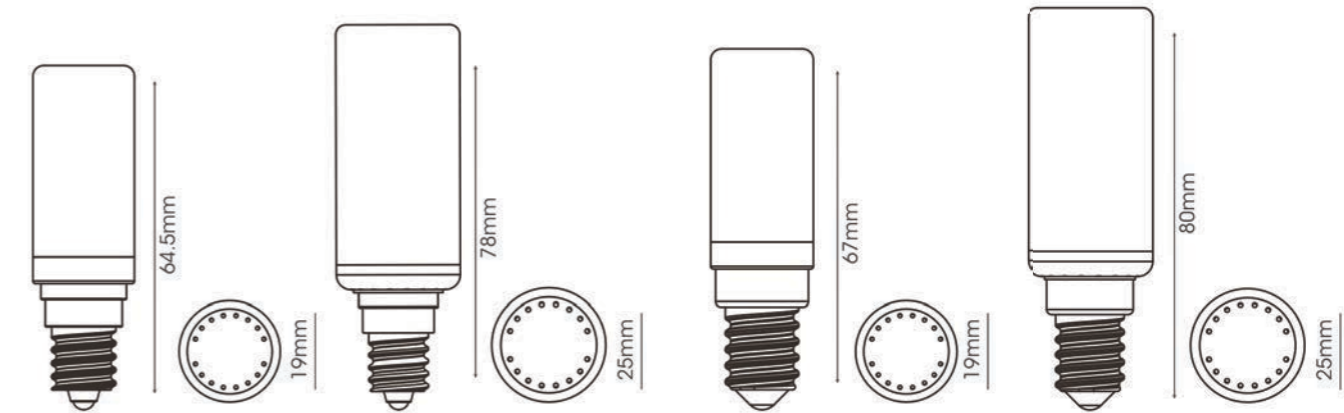
LED E12 E14



PRODUCT DATA

MODE NO.	E12 4W/4.8W/6W/7W E14 4W/4.8W/6W/7W
Dimension	19x64.5mm/25x78mm/19x67mm/25x80mm
Base Type	E12/E14
Watt	4W/4.8W/6W/7W
Lument10% (LM)	480/550/750/875lm
CCT	2700K/4000K/6500K
CRI	>85
Lifespan	25000H
Angle	360°
Voltage	AC220-240V
PF	0.5

SHAPE SIZE



PRODUCT DISPLAY



Product Features

Plastic

Applications

Lamp is suitable for Houses, Offices, Stores, Hotels, Restaurants, Schools, Supermarkets.

Caution

Please do not touch the surface
Please turn off the power before changing the light bulb
Do not use in wet conditions
Do not install with the enclosed lamp

PACKAGE

1pcs/Paper Box → 500pcs/Master Carton



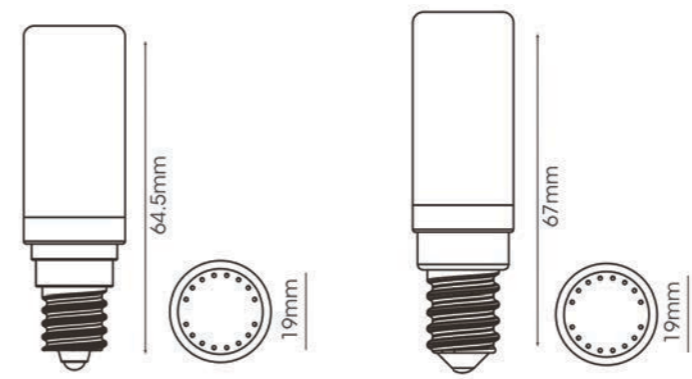
FLAME LAMP



PRODUCT DATA

MODE NO.	Flame Lamp
Dimension	19x64.5mm/19x67mm
Base Type	E12/E14
Watt	1.5W
Lument10% (LM)	/
CCT	1600K
CRI	>80
Lifespan	25000H
Angle	360°
Voltage	AC100-250V
PF	0.5

SHAPE SIZE



PRODUCT DISPLAY



Product Features

Plastic

Applications

Lamp is suitable for Houses, Offices, Stores, Hotels, Restaurants, Schools, Supermarkets.

Caution

Please do not touch the surface
 Please turn off the power before changing the light bulb
 Do not use in wet conditions
 Do not install with the enclosed lamp

PACKAGE

1pcs/Paper Box → 500pcs/Master Carton
 E12 E14 1.5W
 Single Box: 20x20x70mm
 Carton: 530x430x100mm



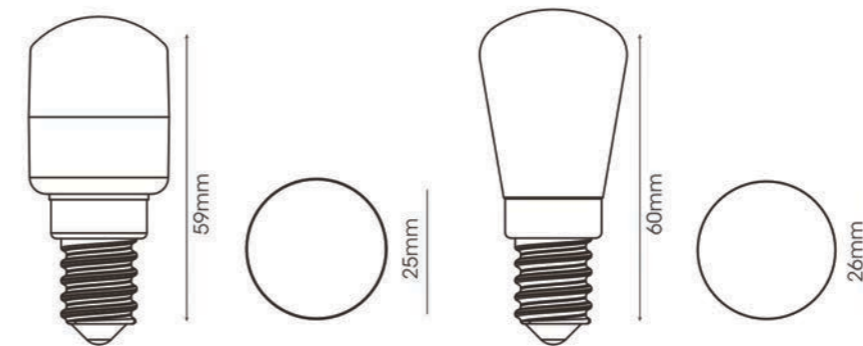
LED T26



PRODUCT DATA

MODE NO.	T26 P26
Dimension	25x59mm/26x60mm
Base Type	E14
Watt	2W/3W
Lument10% (LM)	200/300lm
CCT	3000K/4000K/6500K
CRI	>80
Lifespan	25000H
Angle	180°
Voltage	AC220-240V
PF	0.5

SHAPE SIZE



PRODUCT DISPLAY



Product Features

Plastic

Applications

Lamp is suitable for Houses, Offices, Stores, Hotels, Restaurants, Schools, Supermarkets.

Caution

Please do not touch the surface
Please turn off the power before changing the light bulb
Do not use in wet conditions
Do not install with the enclosed lamp

PACKAGE

1pcs/Products → 1pcs/Paper Box → 500pcs/Master Carton

T26 2W/3W
Single Box: 27x27x62mm
Carton: 705x300x155mm

P26 2W/3W
Single Box: 27x27x62mm
Carton: 705x300x155mm

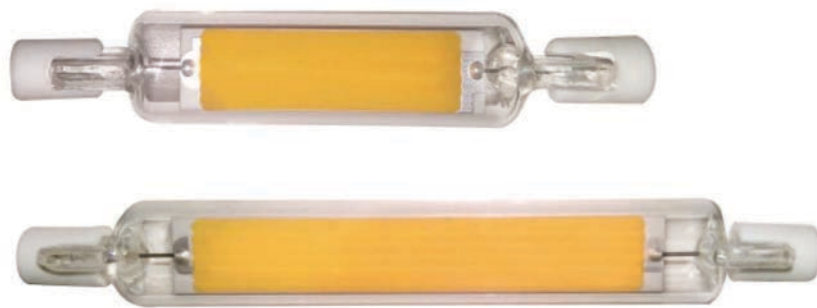
CE RoHS BSCI CO2 ISO9001 25.000H



LED R7S



PRODUCT DISPLAY

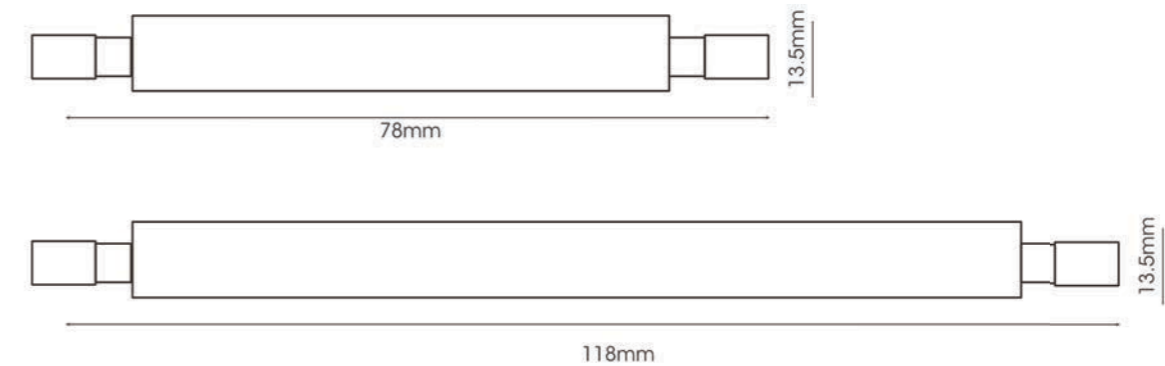


Ideal lighting source for crystal lamp
 No UV or near-IR radiation in light beam
 Friendly to eyes
 Recyclable, environmental-friendly
 Can be easily fitted instead of ordinary incandescent bulb or CFL for the crystal lamp

PRODUCT DATA

MODE NO.	R7s
Dimension	13.5x78mm/13.5x118mm
Base Type	R7s
Watt	3.7W/4W/7.2W/7.5W
Lument10% (LM)	450/450/850/1050lm
CCT	3000K/4000K/6500K
CRI	>80
Lifespan	25000H
Angle	360°
Voltage	AC220-240V
PF	0.5

SHAPE SIZE



PACKAGE

1pcs/Products → 1pcs/Paper Box → 500pcs/Master Carton
 R7s 3.7W/4W R7s 7.2W/7.5W
 Single Box: 14x14x80mm Single Box: 14x14x120mm
 Carton: 430x170x170mm Carton: 630x170x170mm



INDOOR LIGHT SOURCE
LED Bulb



LED Bulb



PRODUCT DISPLAY



Product Features

Plastic with Aluminum inside All-plastic

Applications

Lamp is suitable for Houses, Offices, Stores, Hotels, Restaurants, Schools, Supermarkets.

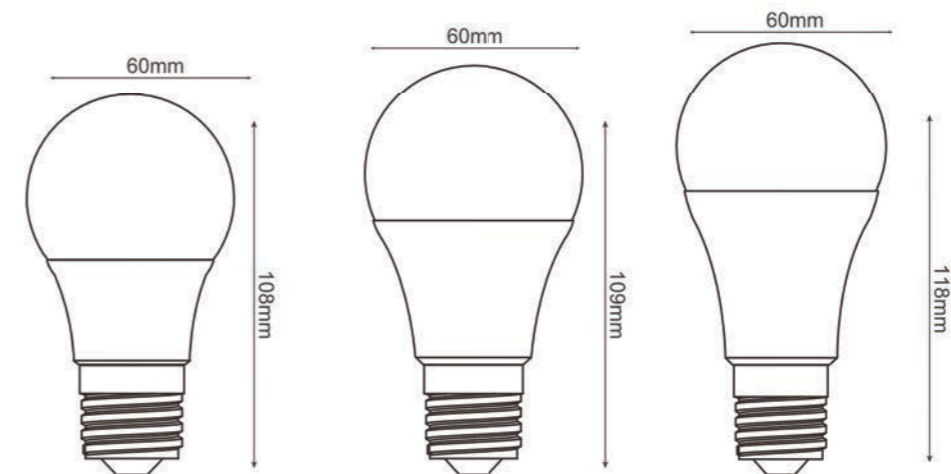
Caution

Please do not touch the surface
Please turn off the power before changing the light bulb
Do not use in wet conditions
Do not install with the enclosed lamp

PRODUCT DATA

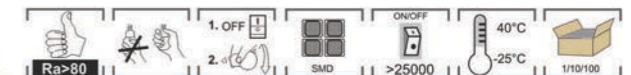
MODE NO.	A60
Dimension	60x108mm/60x109mm/60x118mm
Base Type	E27
Watt	7W/8W/9W/10W/12W/13.5W
Lument10% (LM)	600/680/760/850/1050/1150lm
CCT	3000K/4000K/6500K
CRI	>80
Lifespan	25000H
Angle	180°
Voltage	AC175-250V/AC220-240V
PF	0.5/0.7

SHAPE SIZE



PACKAGE

1pcs/Products → 1pcs/Paper Box → 10pcs/Heat-Shrink Bag → 100pcs/Master Carton
Single Box: 61x61x111mm/60x60x120mm
Carton: 640x325x240mm/630x320x260mm



LED Bulb



PRODUCT DISPLAY



Product Features

Plastic with Aluminum inside All-plastic

Applications

Lamp is suitable for Houses, Offices, Stores, Hotels, Restaurants, Schools, Supermarkets.

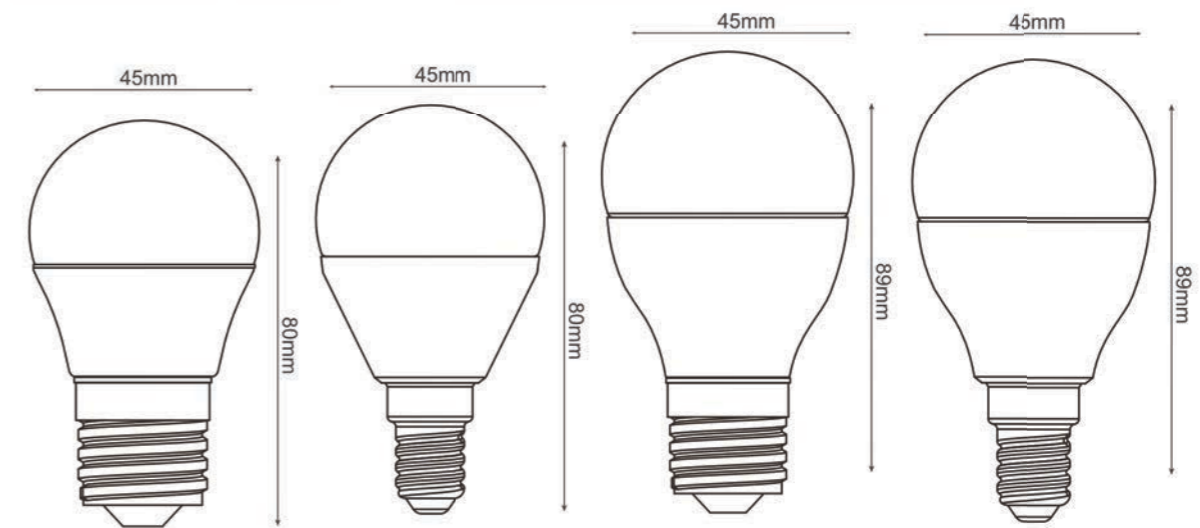
Caution

Please do not touch the surface
Please turn off the power before changing the light bulb
Do not use in wet conditions
Do not install with the enclosed lamp

PRODUCT DATA

MODE NO.	B45
Dimension	45x80mm/45x89mm
Base Type	E27/E14
Watt	3W/4W/5W/6W/7W/8W
Lument10% (LM)	255/340/425/510/600/680lm
CCT	3000K/4000K/6500K
CRI	>80
Lifespan	25000H
Angle	160°
Voltage	AC175-250V/AC220-240V
PF	0.4/0.5

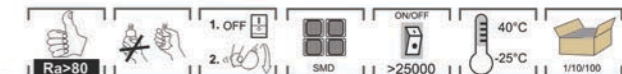
SHAPE SIZE



PACKAGE

1pcs/Products → 1pcs/Paper Box → 10pcs/Heat-Shrink Bag → 100pcs/Master Carton
Single Box: 47x47x82mm/47x47x91mm
Carton: 500x255x190mm/500x255x220mm

CE RoHS BSCI CO2 ISO9001 25.000H



LED Bulb



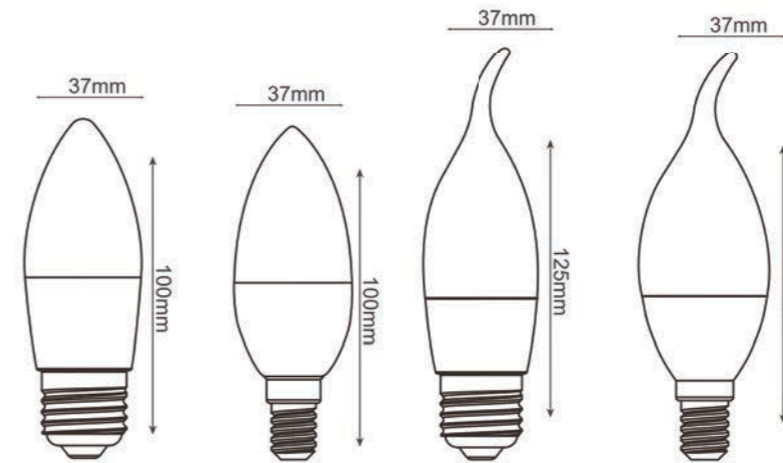
PRODUCT DATA

MODE NO.	C37/C37L
Dimension	37x100mm/37x107mm/37x125mm/37x130mm
Base Type	E27/E14
Watt	3W/4W/5W/6W/7W/8W
Lument10% (LM)	255/340/425/510/600/680lm
CCT	3000K/4000K/6500K
CRI	>80
Lifespan	25000H
Angle	160°
Voltage	AC175-250V/AC220-240V
PF	0.4/0.5

PRODUCT DISPLAY



SHAPE SIZE



PACKAGE

1pcs/Products→1pcs/Paper Box→10pcs/Heat-Shrink Bag→100pcs/Master Carton
 Single Box: 40x40x108mm/40x40x128mm
 Carton: 430x220x240mm/430x220x280mm

Product Features

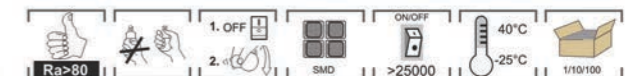
Plastic with Aluminum inside All-plastic

Applications

Lamp is suitable for Houses,Offices,
Stores,Hotels,Restaurants,
Schools,Supermarkets.

Caution

Please do not touch the surface
 Please turn off the power before changing the light bulb
 Do not use in wet conditions
 Do not install with the enclosed lamp



LED Bulb



PRODUCT DISPLAY



Product Features

Plastic with Aluminum inside All-plastic

Applications

Lamp is suitable for Houses, Offices, Stores, Hotels, Restaurants, Schools, Supermarkets.

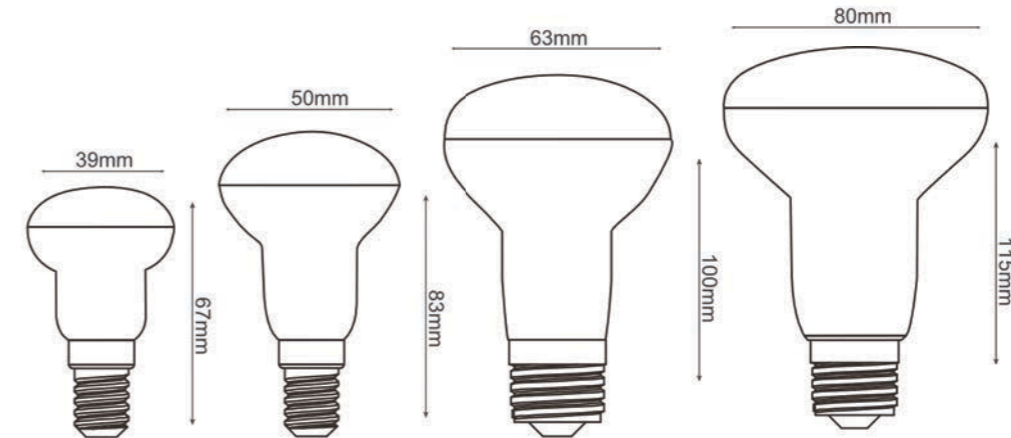
Caution

Please do not touch the surface
Please turn off the power before changing the light bulb
Do not use in wet conditions
Do not install with the enclosed lamp

PRODUCT DATA

MODE NO.	R39/R50/R63/R80
Dimension	39x67mm/50x83mm/63x100mm/80x115mm
Base Type	E14/E27
Watt	4W/6W/8W/10W
Lument10% (LM)	340/510/680/850lm
CCT	3000K/4000K/6500K
CRI	>80
Lifespan	25000H
Angle	100°
Voltage	AC175-250V/AC220-240V
PF	0.4/0.5

SHAPE SIZE



PACKAGE

1pcs/Products → 1pcs/Paper Box → 10pcs/Heat-Shrink Bag → 100pcs/Master Carton

R39

Single Box: 39x39x70mm
Carton: 420x215x160mm

R50

Single Box: 50x50x85mm
Carton: 530x270x190mm

R63

Single Box: 63x63x102mm
Carton: 660x335x225mm

R80

Single Box: 80x80x117mm
Carton: 830x420x255mm



LED Bulb



PRODUCT DISPLAY



Product Features

Plastic with Aluminum inside All-plastic

Applications

Lamp is suitable for Houses, Offices, Stores, Hotels, Restaurants, Schools, Supermarkets.

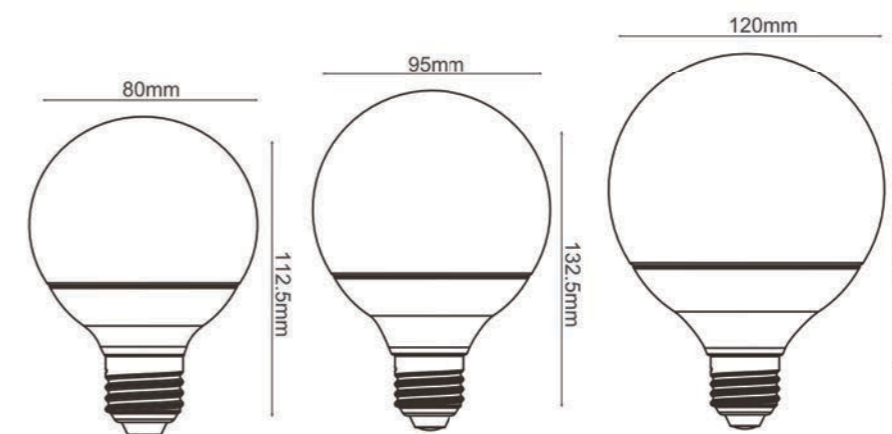
Caution

Please do not touch the surface
Please turn off the power before changing the light bulb
Do not use in wet conditions
Do not install with the enclosed lamp

PRODUCT DATA

MODE NO.	G80/G95/G120
Dimension	80x112.5mm/95x132.5mm/120x160.5mm
Base Type	E27
Watt	10W/15W/18W
Lument10% (LM)	850/1275/1530lm
CCT	3000K/4000K/6500K
CRI	>80
Lifespan	25000H
Angle	180°
Voltage	AC175-250V/AC220-240V
PF	0.5/0.7

SHAPE SIZE



PACKAGE

1pcs/Products → 1pcs/Paper Box → 50pcs/Master Carton

G80

Single Box: 80x80x115mm
Carton: 430x430x250mm

G95

Single Box: 97x97x140mm
Carton: 510x510x300mm

G120

Single Box: 122x122x165mm
Carton: 630x630x350mm



LED Bulb



PRODUCT DISPLAY



Product Features

Plastic with Aluminum inside All-plastic

Applications

Lamp is suitable for Houses, Offices, Stores, Hotels, Restaurants, Schools, Supermarkets.

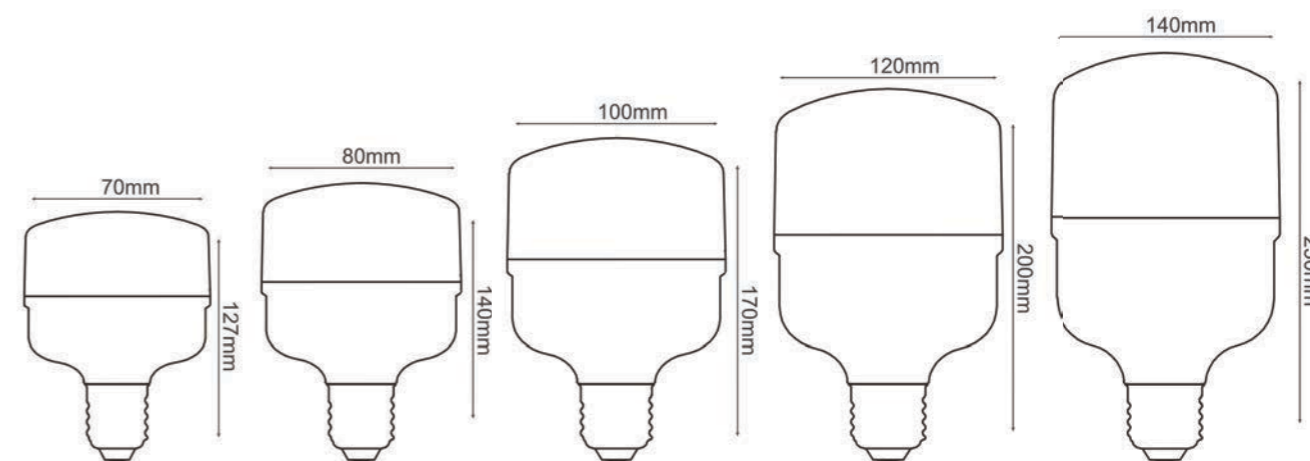
Caution

Please do not touch the surface
Please turn off the power before changing the light bulb
Do not use in wet conditions
Do not install with the enclosed lamp

PRODUCT DATA

MODE NO.	T70/T80/T100/T120/T140
Dimension	70x127mm/80x140mm/100x170mm/120x200mm/140x230mm
Base Type	E27
Watt	15W/20W/30W/40W/50W
Lument10% (LM)	1275/1700/2550/3400/4250lm
CCT	3000K/4000K/6500K
CRI	>80
Lifespan	25000H
Angle	180°
Voltage	AC175-250V/AC220-240V
PF	0.5/0.7/0.9

SHAPE SIZE



PACKAGE

1pcs/Products → 1pcs/Paper Box

T70

Single Box: 70x70x130mm

Carton: 730x370x280mm(100pcs)

T80

Single Box: 82x82x142mm

Carton: 430x430x310mm(50pcs)

T100

Single Box: 102x102x172mm

Carton: 530x530x370mm(50pcs)

T120

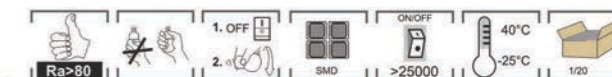
Single Box: 122x122x202mm

Carton: 630x510x220mm(20pcs)

T140

Single Box: 142x142x232mm

Carton: 730x590x250mm(20pcs)



LED Bulb



PRODUCT DISPLAY



Product Features

Plastic with Aluminum inside All-plastic

Applications

Lamp is suitable for Houses, Offices, Stores, Hotels, Restaurants, Schools, Supermarkets.

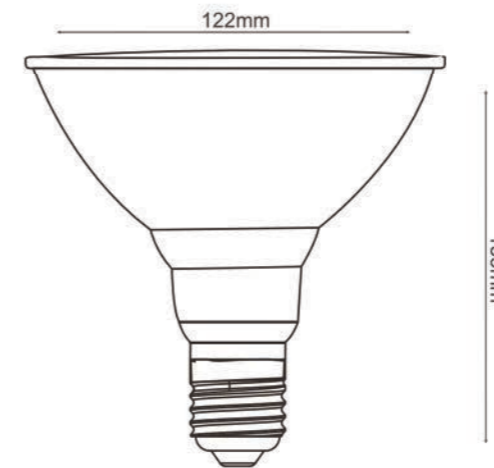
Caution

Please do not touch the surface
Please turn off the power before changing the light bulb
Do not use in wet conditions
Do not install with the enclosed lamp

PRODUCT DATA

MODE NO.	PAR38
Dimension	122x135mm
Base Type	E27
Watt	15W
Lument10% (LM)	1500lm
CCT	3000K/4000K/6500K
CRI	>80
Lifespan	25000H
Angle	120°
Voltage	AC175-250V/AC220-240V
PF	0.5/0.7

SHAPE SIZE



PACKAGE

1pcs/Products → 1pcs/Paper Box → 20pcs/Master Carton

G80

Single Box: 123x123x137mm

Carton: 645x520x155mm

CE RoHS BSCI CO2 ISO9001 25.000H



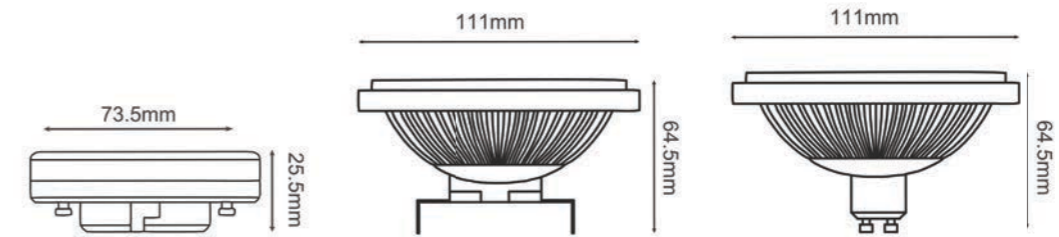
LED Bulb



PRODUCT DATA

MODE NO.	GX53/AR111/ES111
Dimension	73.5x25.5mm/111x64.5mm/111x64.5mm
Base Type	GX53/AR111/GU10
Watt	9W/15W/15W
Lument10% (LM)	800/1500/1500lm
CCT	3000K/4000K/6500K
CRI	>80
Lifespan	25000H
Angle	100°/38°/38°
Voltage	AC175-250V/AC220-240V
PF	0.5/0.7

SHAPE SIZE



PRODUCT DISPLAY



Product Features

Plastic with Aluminum inside All-plastic

Applications

Lamp is suitable for Houses, Offices, Stores, Hotels, Restaurants, Schools, Supermarkets.

Caution

Please do not touch the surface
Please turn off the power before changing the light bulb
Do not use in wet conditions
Do not install with the enclosed lamp

PACKAGE

1pcs/Products → 1pcs/Paper Box

GX53

Single Box: 74x74x28mm

Carton: 390x310x340mm(200pcs)

AR11/ES111

Single Box: 115x115x70mm

Carton: 605x450x145mm(30pcs)



INDOOR LIGHT SOURCE LED Spotlight



LED Spotlight



PRODUCT DISPLAY



Product Features

Plastic with Aluminum inside All-plastic

Applications

Lamp is suitable for Houses, Offices, Stores, Hotels, Restaurants, Schools, Supermarkets.

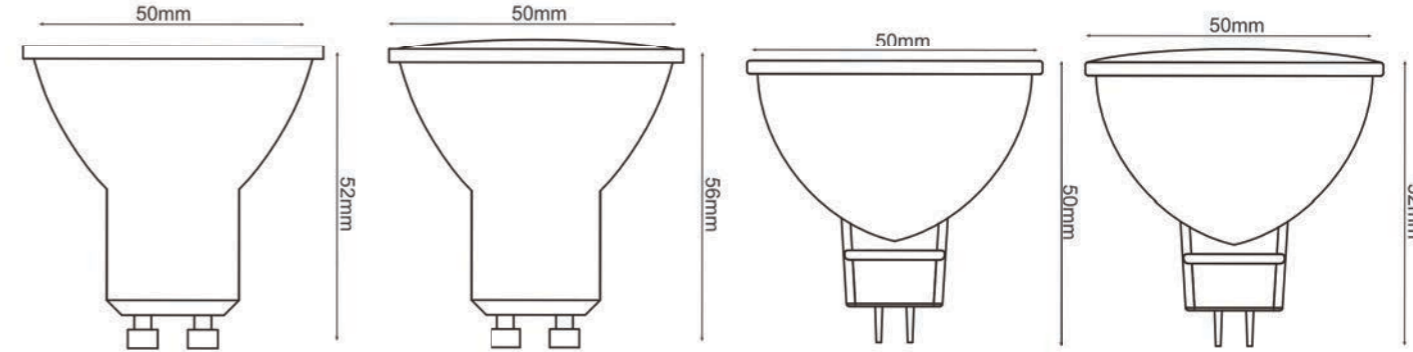
Caution

Please do not touch the surface
Please turn off the power before changing the light bulb
Do not use in wet conditions
Do not install with the enclosed lamp

PRODUCT DATA

MODE NO.	GU10/MR16
Dimension	50x52mm/50x56mm/50x50mm/50x52mm
Base Type	GU10/MR16
Watt	3W/4W/5W/6W/7W
Lument10% (LM)	240/320/400/480/560lm
CCT	3000K/4000K/6500K
CRI	>80
Lifespan	25000H
Angle	38° 100°
Voltage	AC175-250V/AC220-240V
PF	0.4/0.5

SHAPE SIZE



PACKAGE

1pcs/Products → 1pcs/Paper Box → 10pcs/Heat-Shrink Bag → 100pcs/Master Carton
Single Box: 52x52x63mm
Carton: 550x280x150mm



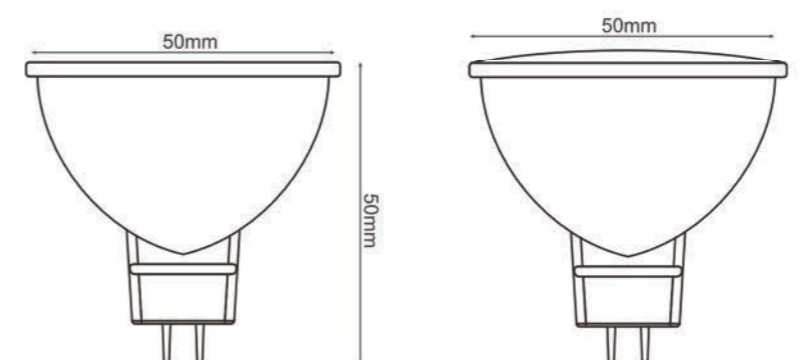
LED Spotlight



PRODUCT DATA

MODE NO.	MR16
Dimension	50x50mm/50x52mm
Base Type	MR16
Watt	3W/4W/5W/6W
Lument10% (LM)	210/280/350/420lm
CCT	3000K/4000K/6500K
CRI	>80
Lifespan	25000H
Angle	38° 100°
Voltage	DC12V
PF	0.4/0.5

SHAPE SIZE



PRODUCT DISPLAY



Product Features

Plastic with Aluminum inside All-plastic

Applications

Lamp is suitable for Houses,Offices,
Stores,Hotels,Restaurants,
Schools,Supermarkets.

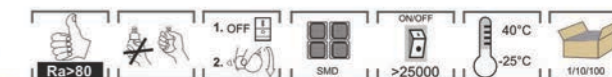
Caution

Please do not touch the surface
Please turn off the power before changing the light bulb
Do not use in wet conditions
Do not install with the enclosed lamp

PACKAGE

1pcs/Products→1pcs/Paper Box→10pcs/Heat-Shrink Bag→100pcs/Master Carton
Single Box: 52x52x63mm
Carton: 550x280x150mm

CE RoHS BSCI CO2 ISO9001 25.000H



LED T8



PRODUCT DISPLAY



Product Features

Plastic with Aluminum inside All-plastic

Applications

Lamp is suitable for Houses, Offices, Stores, Hotels, Restaurants, Schools, Supermarkets.

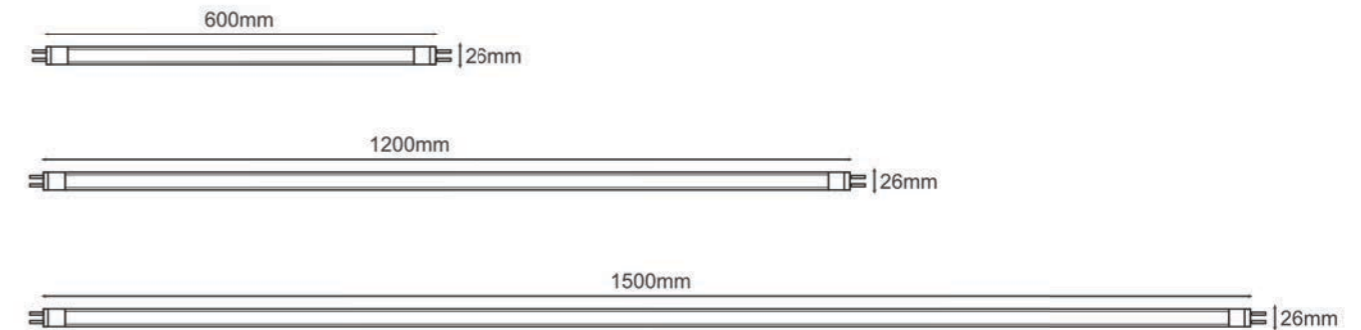
Caution

Please do not touch the surface
Please turn off the power before changing the light bulb
Do not use in wet conditions
Do not install with the enclosed lamp

PRODUCT DATA

MODE NO.	T8
Dimension	600mm/1200mm/1500mm
Base Type	G13
Watt	9W/16W/19W/23W
Lument10% (LM)	650/1350/1900/2020lm
CCT	3000K/4000K/6500K
CRI	>80
Lifespan	20000H
Angle	120°
Voltage	AC175-250V/AC220-240V
PF	0.5

SHAPE SIZE



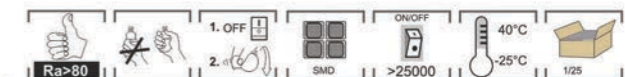
PACKAGE

EPE/1pcs → 25pcs/Master Carton

600
Carton: 636x170x160mm

1200
Carton: 1245x170x160mm

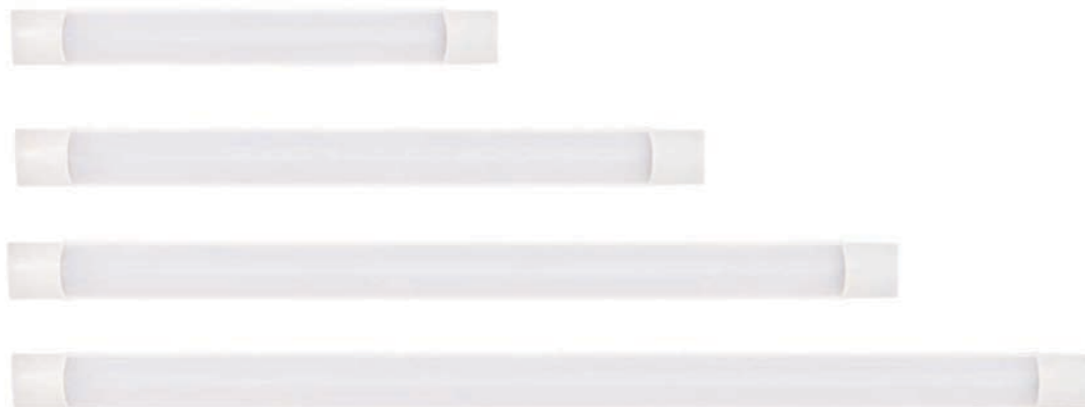
1500
Carton: 1546x170x160mm



LED BATTEN LIGHT



PRODUCT DISPLAY



Product Features

Plastic with Aluminum inside All-plastic

Applications

Lamp is suitable for Houses, Offices, Stores, Hotels, Restaurants, Schools, Supermarkets.

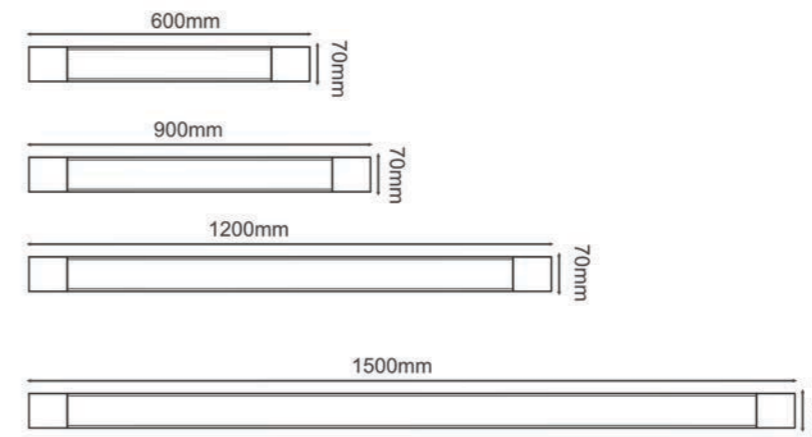
Caution

Please do not touch the surface
Please turn off the power before changing the light bulb
Do not use in wet conditions
Do not install with the enclosed lamp

PRODUCT DATA

MODE NO.	L-600/L-900/L-1200/L-1500
Dimension	600x70x23mm/900x70x23mm/1200x70x23mm/1500x70x23mm
Base Type	/
Watt	20W/30W/40W/50W
Lument10% (LM)	2000/3000/4000/5000lm
CCT	3000K/4000K/6500K
CRI	>80
Lifespan	25000H
Angle	180°
Voltage	AC175-250V/AC220-240V
PF	0.5/0.7/0.9

SHAPE SIZE



PACKAGE

1pcs/Products → 1pcs/Paper Box → 20pcs/Master Carton

L-600
Single Box: 78x28x610mm
Carton: 635x315x185mm

L-900
Single Box: 78x28x910mm
Carton: 935x315x185mm

L-1200
Single Box: 78x28x1210mm
Carton: 1235x315x185mm

L-1500
Single Box: 78x28x1510mm
Carton: 1535x315x185mm

CE RoHS BSCI CO2 ISO9001 25.000H





 DXB airport parking area, UAE

LED PURIFICATION LIGHT



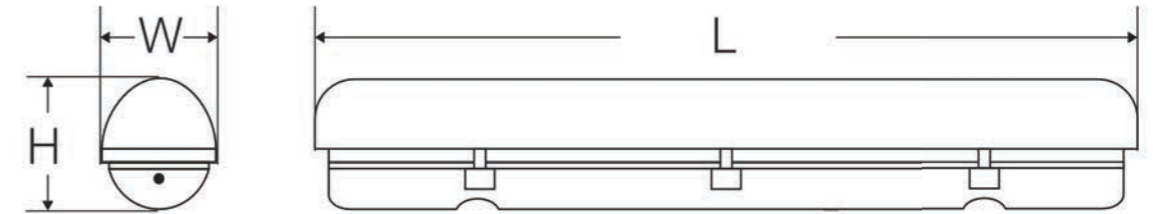
LED PURIFICATION LIGHT



ISO9001:2015 CE CB ETL GS UL RGS SAA

Model	Size	IP Rating	Input Voltage	Output Power	LED	CCT	RA
106	654*94*90mm	IP65	100-277V 50/60HZ	9-12W	2835	3000-6500K	≥70
112	1193*94*90mm	IP65		18-24W	2835	3000-6500K	≥70
115	1493*94*90mm	IP65		25-30W	2835	3000-6500K	≥70
206	654*94*90mm	IP65		18-24W	2835	3000-6500K	≥70
212	1193*94*90mm	IP65		36-48W	2835	3000-6500K	≥70
215	1493*94*90mm	IP65		50-60W	2835	3000-6500K	≥70

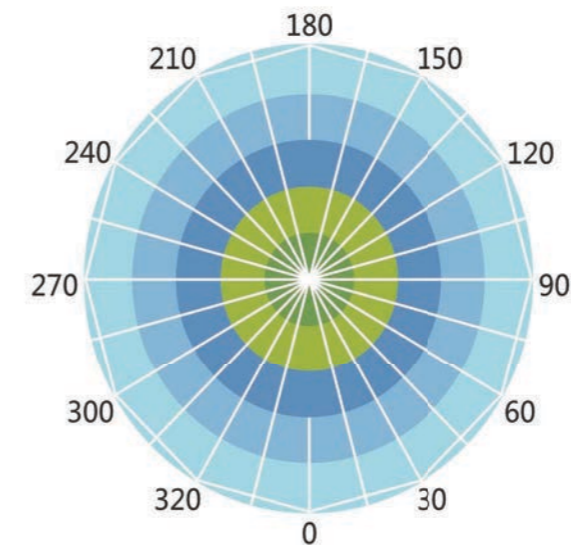
Products Structure Drawing



Features

- Natural silicon gel gasket used in the housing PC clips or S/S clips for locking and waterproof cable gland on side of the housing to ensure good waterproof function
- Many types combinations between housing(ABS,PS)and diffuser(PS,PMMA,PC)to meet different requests.
- PC wire clips to ensure electrical safety.
- Prismatic diffuser with unique shape design to get average ray,efficient usage of light and good dazzle-proof effect.
- Easy and quick to installation under ceiling or on surface.
- Plastic gear tray holder connected to the housing for easy maintenance.

Luminous Intensity Distribution



LED PURIFICATION LIGHT

Model	Size	IP Rating	Input Voltage	Output Power	LED	CCT	RA
106	650*37*42mm	IP65	220-240V 50/60HZ	12-18W	2835	3000-6500K	≥70
112	1250*37*42mm	IP65		24-36W	2835	3000-6500K	≥70
115	1550*37*42mm	IP65		30-45W	2835	3000-6500K	≥70

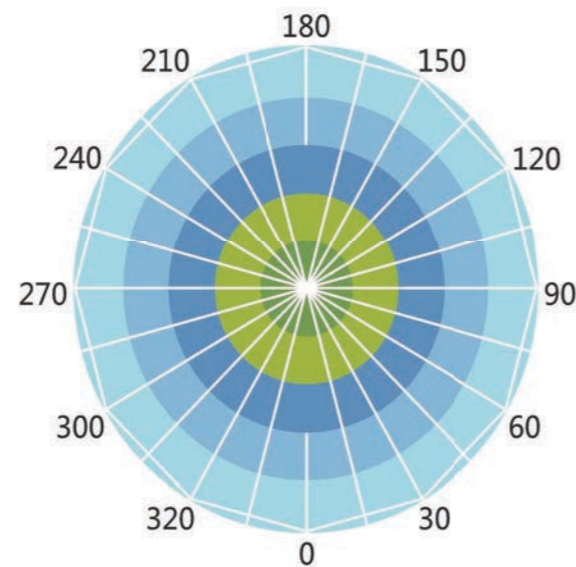
Features

- Natural silicon gel gasket used in the housing PC clips or S/S clips for locking and waterproof cable gland on side of the housing to ensure good waterproof function
- Many types combinations between housing(ABS,PS)and diffuser(PS,PMMA,PC)to meet different requests.
- PC wire clips to ensure electrical safety.
- Prismatic diffuser with unique shape design to get average ray,efficient usage of light and good dazzle-proof effect.
- Easy and quick to installation under ceiling or on surface.
- Plastic gear tray holder connected to the housing for easy maintenance.

Products Structure Drawing



Luminous Intensity Distribution



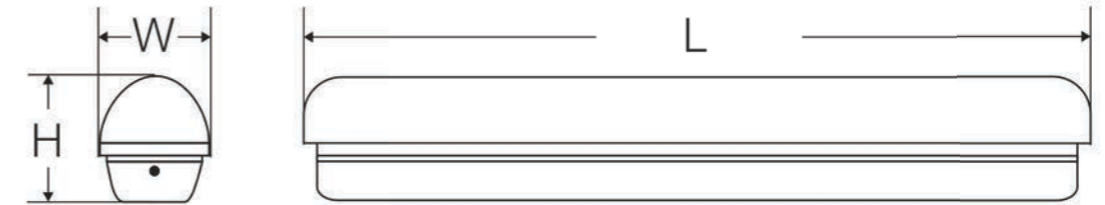
ISO9001:2015 CE CB ETL GS UL RGH SAA

LED PURIFICATION LIGHT

Model	Size	IP Rating	Input Voltage	Output Power	LED	CCT	RA
106	610*86*75mm	IP65	100-277V 50/60HZ	18-24W	2835	3000-6500K	≥70
112	1210*86*75mm	IP65		36-48W	2835	3000-6500K	≥70
115	1510*86*75mm	IP65		45-60W	2835	3000-6500K	≥70



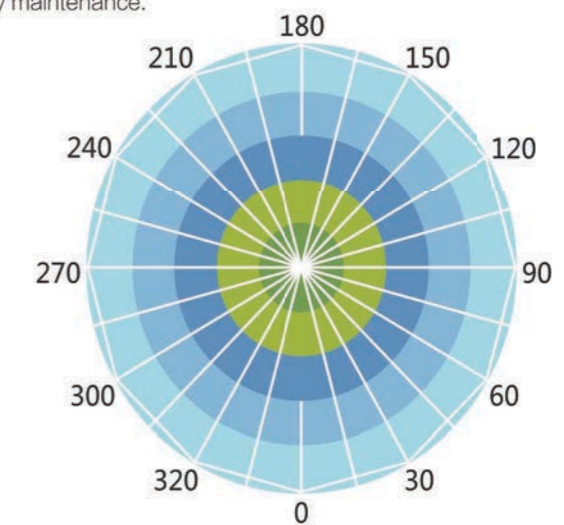
Products Structure Drawing



Features

- Natural silicon gel gasket used in the housing PC clips or S/S clips for locking and waterproof cable gland on side of the housing to ensure good waterproof function
- Many types combinations between housing(ABS,PS)and diffuser(PS,PMMA,PC)to meet different requests.
- PC wire clips to ensure electrical safety.
- Prismatic diffuser with unique shape design to get average ray,efficient usage of light and good dazzle-proof effect.
- Easy and quick to installation under ceiling or on surface.
- Plastic gear tray holder connected to the housing for easy maintenance.

Luminous Intensity Distribution



LED PURIFICATION LIGHT

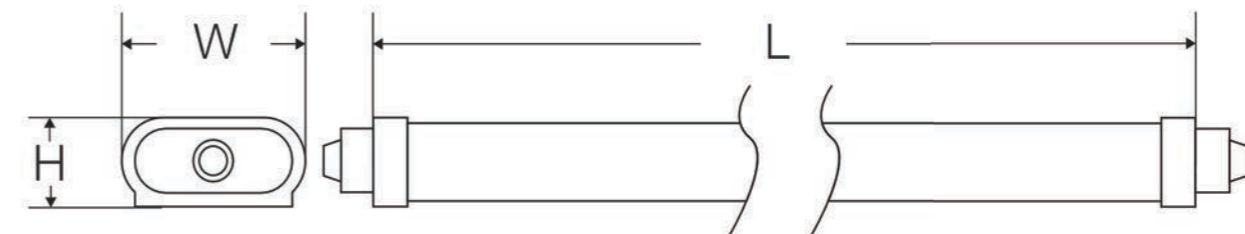


Model	Size	IP Rating	Input Voltage	Output Power	LED	CCT	RA
106	618*80*53mm	IP65	220-240W 50/60HZ	18-24W	2835	3000-6500K	≥70
112	1223*80*53mm	IP65		36-48W	2835	3000-6500K	≥70
115	1524*80*53mm	IP65		45-60W	2835	3000-6500K	≥70

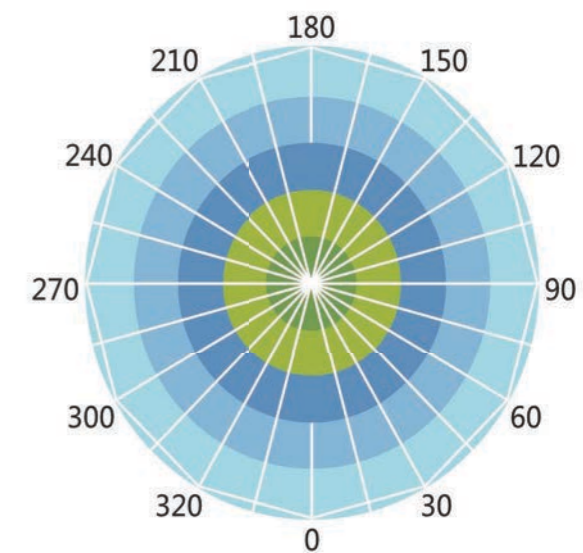
Features

- Natural silicon gel gasket used in the housing PC clips or S/S clips for locking and waterproof cable gland on side of the housing to ensure good waterproof function
- Many types combinations between housing(ABS,PS)and diffuser(PS,PMMA,PC)to meet different requests.
- PC wire clips to ensure electrical safety.
- Prismatic diffuser with unique shape design to get average ray,efficient usage of light and good dazzle-proof effect.
- Easy and quick to installation under ceiling or on surface.
- Plastic gear tray holder connected to the housing for easy maintenance.

Products Structure Drawing



Luminous Intensity Distribution



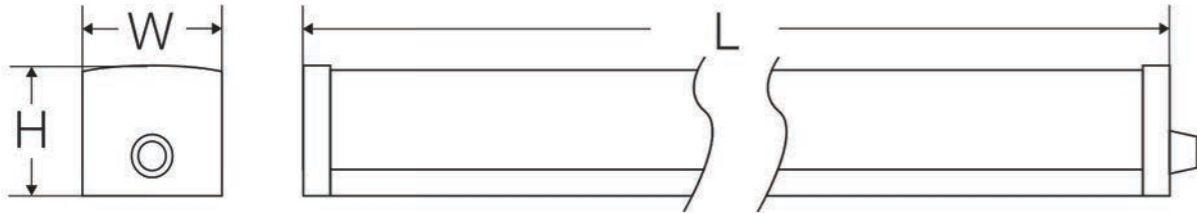
LED PURIFICATION LIGHT

Model	Size	IP Rating	Input Voltage	Output Power	LED	CCT	RA
106	605*40*43mm	IP44	100-277V 50/60HZ	20W	2835	3000-6500K	≥80
112	1205*40*43mm	IP44		40W	2835	3000-6500K	≥80
115	1505*40*43mm	IP44		50W	2835	3000-6500K	≥80

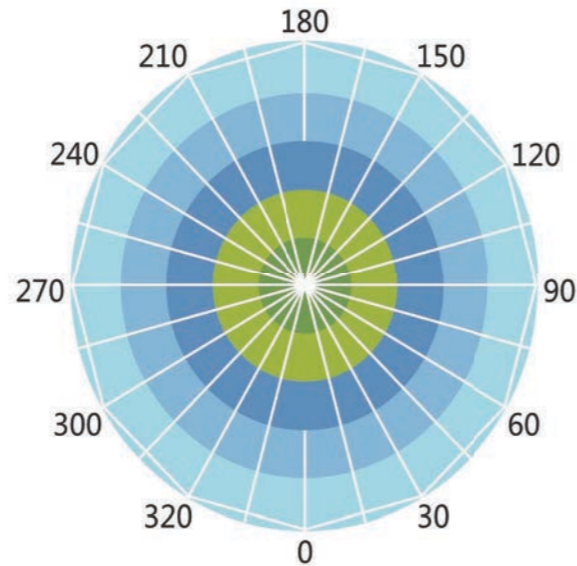
Features

- Natural silicon gel gasket used in the housing PC clips or S/S clips for locking and waterproof cable gland on side of the housing to ensure good waterproof function
- Many types combinations between housing(ABS,PS)and diffuser(PS,PMMA,PC)to meet different requests.
- PC wire clips to ensure electrical safety.
- Prismatic diffuser with unique shape design to get average ray,efficient usage of light and good dazzle-proof effect.
- Easy and quick to installation under ceiling or on surface.
- Plastic gear tray holder connected to the housing for easy maintenance.

Products Structure Drawing



Luminous Intensity Distribution

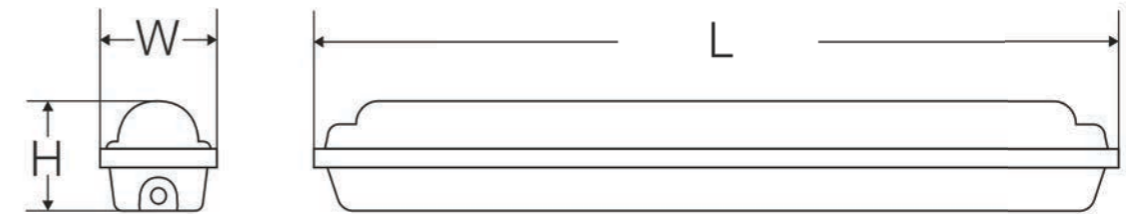


LED PURIFICATION LIGHT

Model	Size	IP Rating	Input Voltage	Output Power	LED	CCT	RA
206	665*134*130mm	IP66	100-277V 50/60HZ	20-30W	2835	3000-6500K	≥80
212	1265*134*130mm	IP66		40-60W	2835	3000-6500K	≥80
215	1560*134*130mm	IP66		50-80W	2835	3000-6500K	≥80



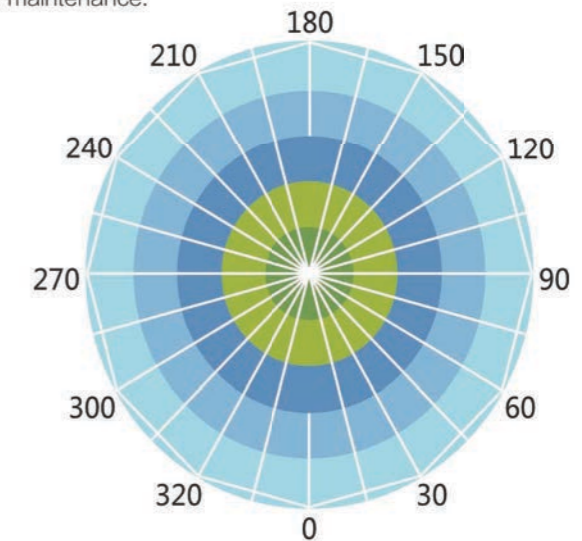
Products Structure Drawing



Features

- Natural silicon gel gasket used in the housing PC clips or S/S clips for locking and waterproof cable gland on side of the housing to ensure good waterproof function
- Many types combinations between housing (ABS, PS) and diffuser (PS, PMMA, PC) to meet different requests.
- PC wire clips to ensure electrical safety.
- Prismatic diffuser with unique shape design to get average ray, efficient usage of light and good dazzle-proof effect.
- Easy and quick to installation under ceiling or on surface.
- Plastic gear tray holder connected to the housing for easy maintenance.

Luminous Intensity Distribution



LED PURIFICATION LIGHT

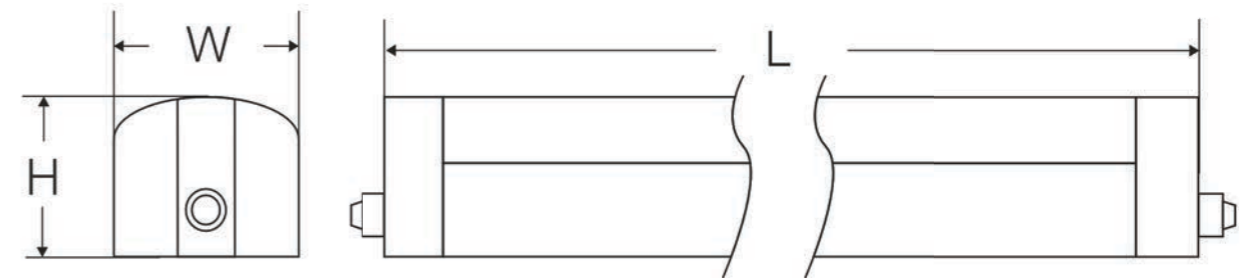


Model	Size	IP Rating	Input Voltage	Output Power	LED	CCT	RA
106	672*74*83mm	IP44	100-277V 50/60HZ	20W	2835	3000-6500K	≥80
112	1227*74*83mm	IP44		40W	2835	3000-6500K	≥80
115	1527*74*83mm	IP44		50W	2835	3000-6500K	≥80

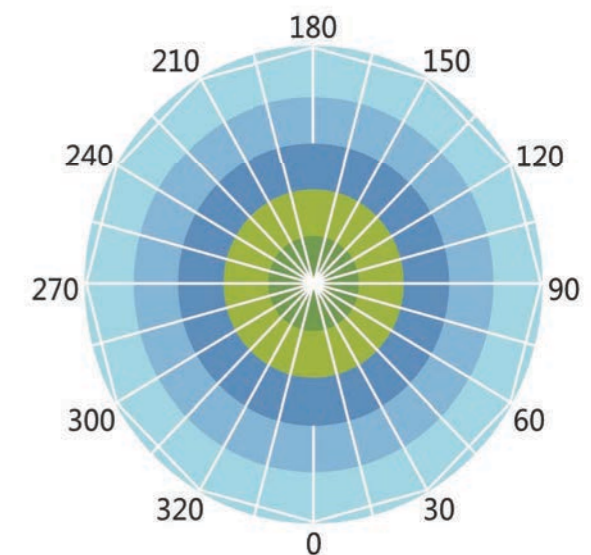
Features

- Natural silicon gel gasket used in the housing PC clips or S/S clips for locking and waterproof cable gland on side of the housing to ensure good waterproof function
- Many types combinations between housing(ABS,PS)and diffuser(PS,PMMA,PC)to meet different requests.
- PC wire clips to ensure electrical safety.
- Prismatic diffuser with unique shape design to get average ray,efficient usage of light and good dazzle-proof effect.
- Easy and quick to installation under ceiling or on surface.
- Plastic gear tray holder connected to the housing for easy maintenance.

Products Structure Drawing



Luminous Intensity Distribution



ST3008



ST3001



ST3013



ST3014



ISO9001:2015 CE CB ETL GS UL R6HS SAA

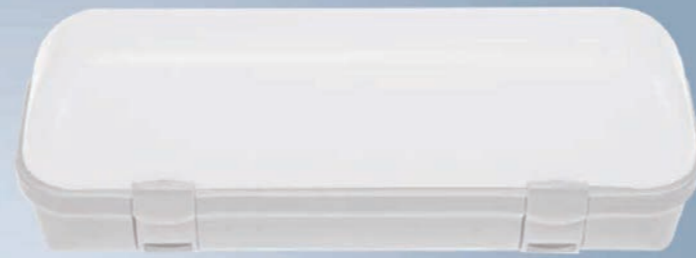
ISO9001:2015 CE CB ETL GS UL R6HS SAA

LED PURIFICATION LIGHT

Model	Size	IP Rating	Input Voltage	Output Power	LED	CCT	RA
3001	270*270*85mm	IP54	100-277V	9-12W	2835	3000-6500K	≥80
3001L	335*335*85mm	IP54	50/60HZ	15-25W	2835	3000-6500K	≥80
3008S	270*270*90mm	IP54	100-277V	9-12W	2835	3000-6500K	≥80
3008	326*326*129mm	IP54	50/60HZ	15-25W	2835	3000-6500K	≥80

Model	Size	IP Rating	Input Voltage	Output Power	LED	CCT	RA
3013	196*196*82mm	IP54	100-277V	9-12W	2835	3000-6500K	≥80
3013L	280*280*82mm	IP54		15-25W	2835	3000-6500K	≥80
3014	194*194*92mm	IP54	50/60HZ	9-12W	2835	3000-6500K	≥80
3014L	248*248*92mm	IP54		15-25W	2835	3000-6500K	≥80

ST3015



ST3017



ST3010



ST3016



ISO9001:2015 CE CB Scheme ETL SAA GS UL RoHS

ISO9001:2015 CE CB Scheme ETL SAA GS UL RoHS

LED PURIFICATION LIGHT

Model	Size	IP Rating	Input Voltage	Output Power	LED	CCT	RA
ST3010	320*320*78mm	IP54	100-277V	12-20W	2835	3000-6500K	≥80
ST3015	300*96*103mm	IP65	50/60HZ	9-15W	2835	3000-6500K	≥80

Model	Size	IP Rating	Input Voltage	Output Power	LED	CCT	RA
ST3016	230*230*82mm	IP65	100-277V	9-15W	2835	3000-6500K	≥80
ST3017	320*320*75mm	IP54	50/60HZ	12-20W	2835	3000-6500K	≥80

LED PANEL LIGHT



PRODUCT DATA

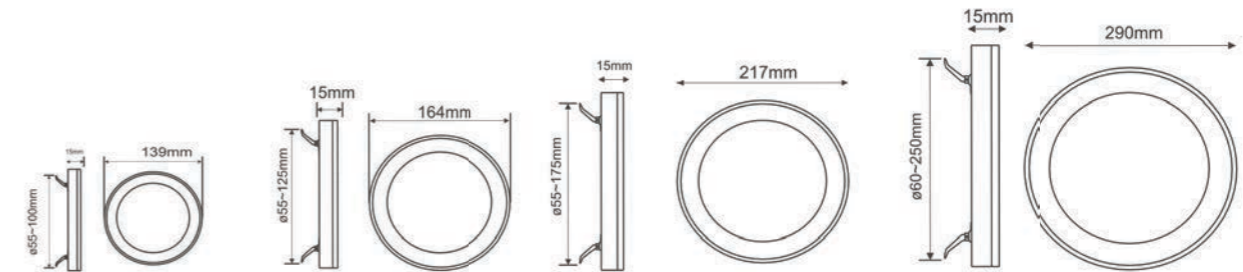
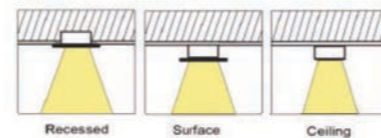
MODE NO.	6-140/12-170/18-220/24-290
Dimension	139x15mm/164x15mm/217x15mm/290x15mm
Base Type	/
Watt	6W/12W/18W/24W
Lument10% (LM)	480/960/1440/1920lm
CCT	3000K/4000K/6500K
CRI	>80
Lifespan	25000H
Angle	120°
Voltage	AC175-250V/AC220-240V
PF	0.5/0.7

SHAPE SIZE

PRODUCT DISPLAY



Installation methods



PACKAGE

1pcs/Products → 1pcs/Paper Box → 30pcs/Master Carton

6W
Single Box: 157x152x40mm
Carton: 495x435x175mm

12W
Single Box: 177x172x40mm
Carton: 550x435x190mm

18W
Single Box: 230x225x40mm
Carton: 475x435x245mm

24W
Single Box: 303x298x40mm
Carton: 620x435x315mm

- 5 in 1 LED Panels, Can work 3 installation ways (Recessed and Surface Mounted, Ceiling), all DIY install, very Easy.
- Super Slim Design: 15mm Thickness.
- Push to fit, drag to detach, No need Screw.
- Recessed install, Slidable spring, fit all cut-size hole.
- Anti-drop hoop for Safty installation.
- 3.0 PMMA LGP + Alumiumm heat Sink.
- Change CCT from 3000K-4000K-6000K, by Push Switch, One Panel have 3CCT, Reduce your Stock Risk.
- IP Level: IP20



LED PANEL LIGHT

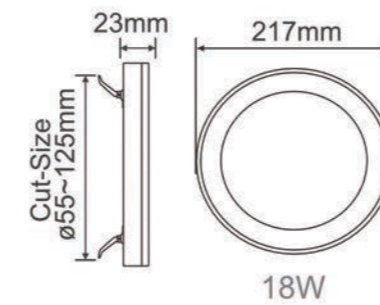


PRODUCT DATA

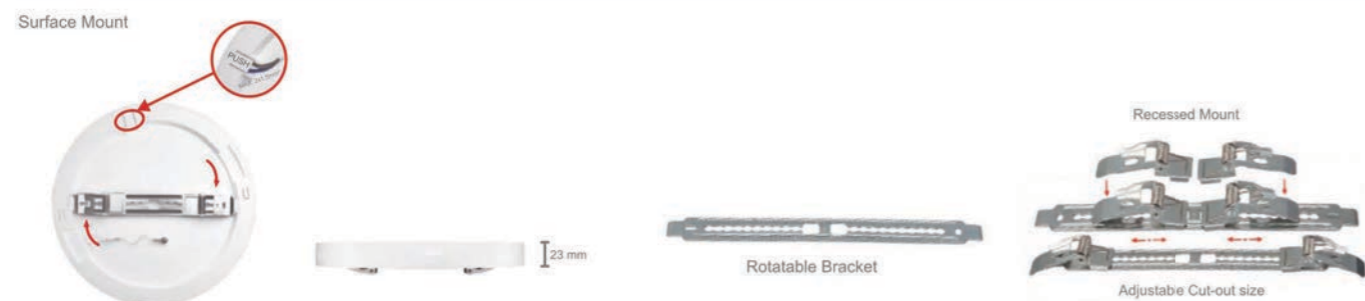
MODE NO.	18-217
Dimension	217x23mm
Base Type	/
Watt	18W
Lument10% (LM)	1800lm
CCT	3000K/4000K/6500K
CRI	>80
Lifespan	25000H
Angle	120°
Voltage	AC175-250V/AC220-240V
PF	0.5/0.7

SHAPE SIZE

PRODUCT DISPLAY



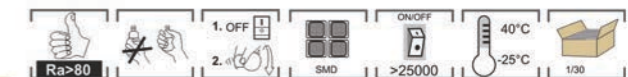
ACCESSORY FOR INSTALLATION



PACKAGE

1pcs/Products → 1pcs/Paper Box → 30pcs/Master Carton

18W
Single Box: 230x225x40mm
Carton: 475x435x245mm



NEW

2-in-1 LED Downlight

Anti-glare Slim LED Downlight



UGR <19

2-in-1 design

2.7cm thickness

1.3cm border width



Comparison

Anti-glare Slim Downlight

- ✓ **Simple Craft:** DOB design, full-automatic SMT technology
- ✓ **Easier SKD:** Only 3/5 parts for SKD
- ✓ **Better Cost:** The new optical design help reduce the material cost
- ✓ **Light emitting area >85%**
- ✓ **No Dazzle**



Anti-glare Slim Downlight

- ✓ **High Efficiency:** The average efficiency is 85lm/w, which is 30% higher than previous design.
- ✓ **Higher Safety:** Double insulation design, could meet EU standard
- ✓ **Life Span:** Heat-resisting housing material, 25000hrs lifespan
- ✓ **Easier SKD:** Only 3/5 parts for SKD
- ✓ **No Dazzle**

VS

Other plastic Downlight

- × **Complicated Craft:** With the risk of cold joint and solder skip
- × **Difficult SKD:** 9 SKD components, with screws and drivers, higher labor cost and difficult for SKD shipment
- × **Higer Cost:** Need lens to improve light effect, higher cost
- × **Light emitting area is only 70%**
- × **With Dazzle**



VS

Die-casting Aluminum Downlight

- × **Low Efficiency:** The average lumen efficiency of die-casting aluminum downlight is only 50-70 lumen per watt
- × **Lower Safety:** Non-isolated driver's unsafe insulativity makes the security to be lower
- × **LGP Color Change:** LGP turns yellow easily
- × **Difficult SKD:** More components, hard for SKD production
- × **With Dazzle**

The market of LED downlight has shown its upward trend for years. However, since the advent of the LED downlight, there have been disadvantages such as glare and uneven light, insecurity, etc. prevent its deep penetration. While, fixing any of them would raise costs by about 30%, a pain point for brands.

As a people-oriented lighting company, we are committed to creating a downlight that is not only good for eyes, but also affordable. Thanks to the ingenuity of our engineers, now we have it! Through the professional anti-glare and optical design, this new downlight can achieve UGR<19 with uniform and soft brightness. With a simple engineering structure, it outperforms its competitors in terms of quality and cost, bringing far more value to people.

Now, you can take this fabulous product to your market, its distinctive value will help you earn more consumers' favor and achieve a sustainable development in business.

Discover a Superior Light Quality

UGR<19 | Uniform light | Soft brightness | No flicker

The high-quality prism diffuser is applied to achieve a **professional anti-glare effect**

The frosted diffuser together with the exclusive optical solution creates a **soft and uniform light**



The narrow side design increases the light-emitting area up to 85%, allowing a **comfortable brightness**

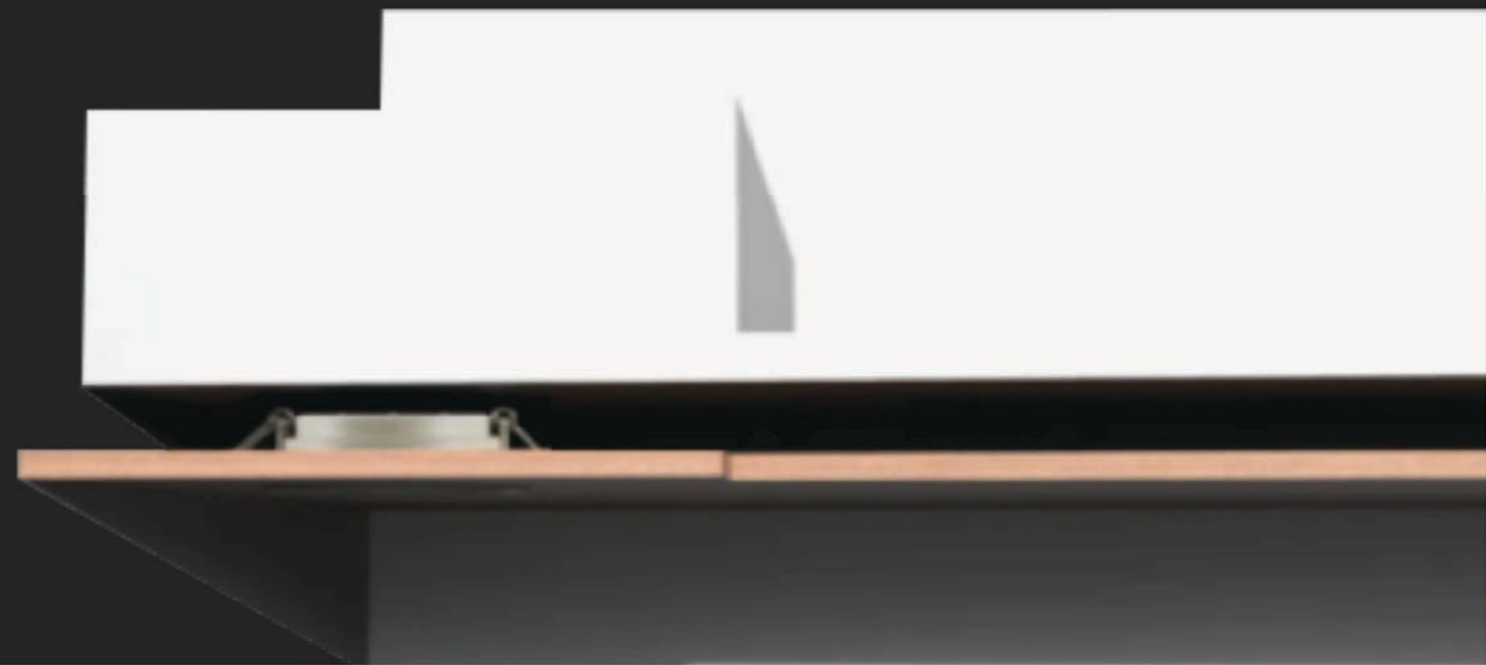




Explore the Value of the Slim Body



As thin as a palm, the lamp can fit different ceiling spaces, and help save over 5% of sea freight.



Flicker-free experience cares for our eyes

Experience the Safety and Durability



Mothproof



Flameproof



Dustproof



Anti-electric shock



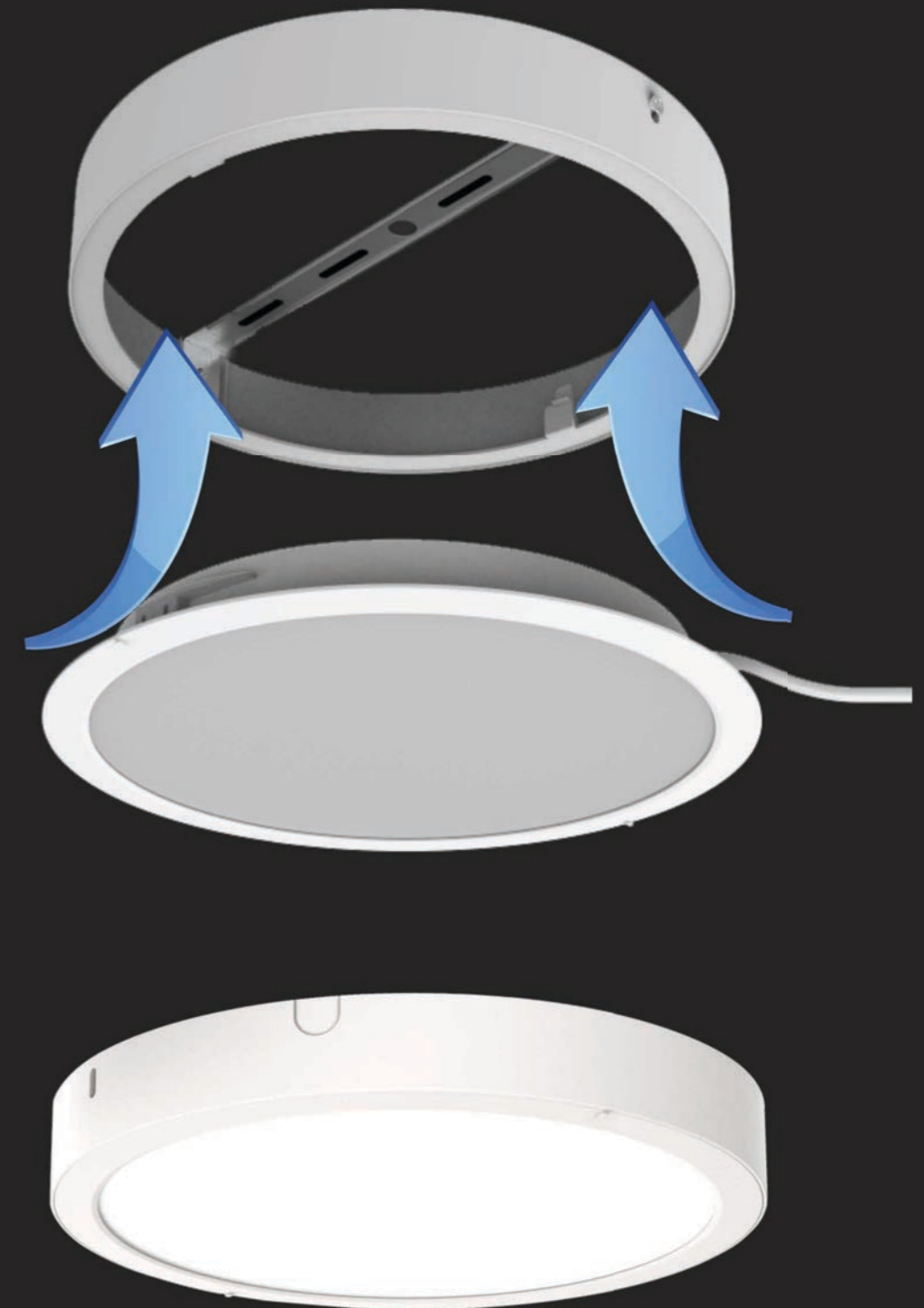
The body adopts high thermal conductive housing, flame retardant and anti-electric shock



The Air-tightness design makes the diffuser fit the body well, preventing dusts and moths

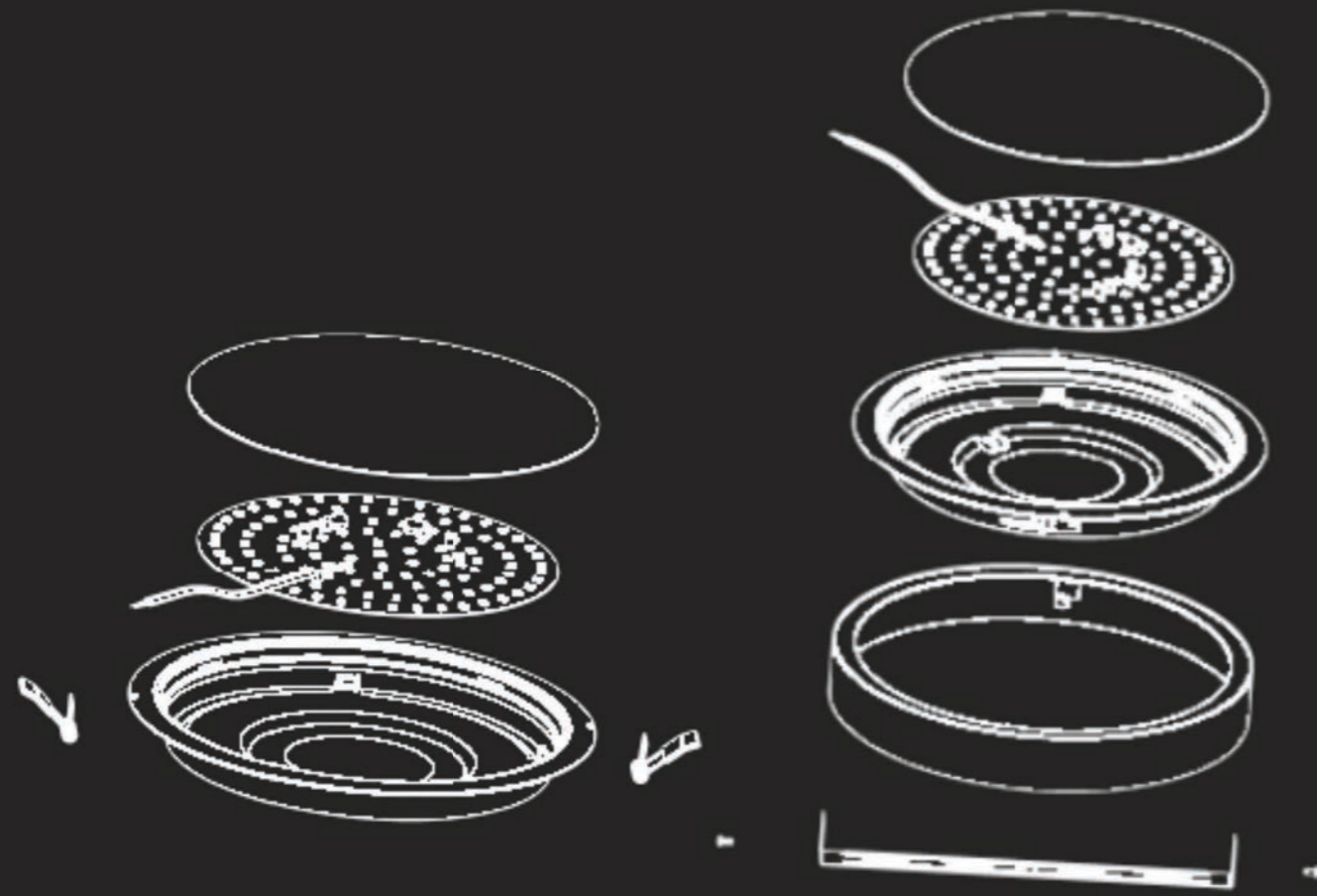
2-in-1 Design to Flexibly Transform in Installation

Simply one step to turn a recessed lamp into a mounted one with an additional surface frame.



Easier SKD Solution Than Ever

3 / 5 simple (recessed/mounted) parts improve the efficiency of assembling and ensure a low defect rate.



Recessed

Mounted

Ideal for a Wide Range of Residential & Commercial Scenarios



Meeting Room



Super Market



Store



Living Room



Hallway



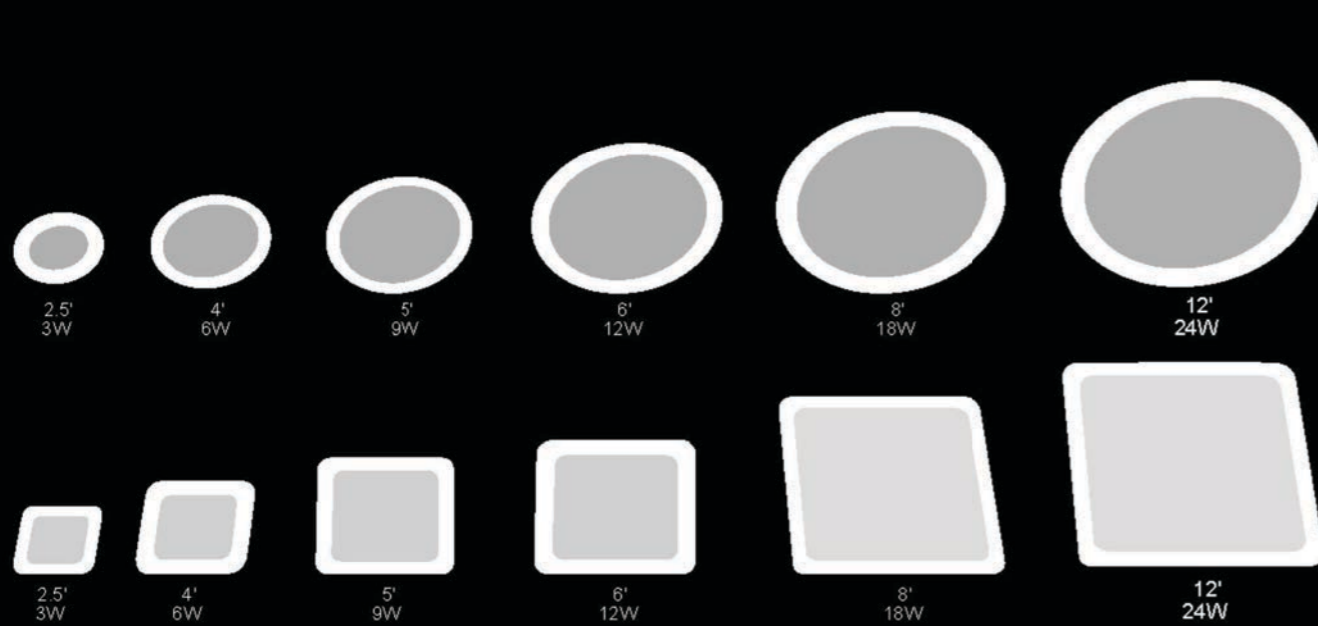
Bathroom



Dining Room

Multiple Options for Diverse Installation Needs

Recessed series from 2.5 inch to 12 inch

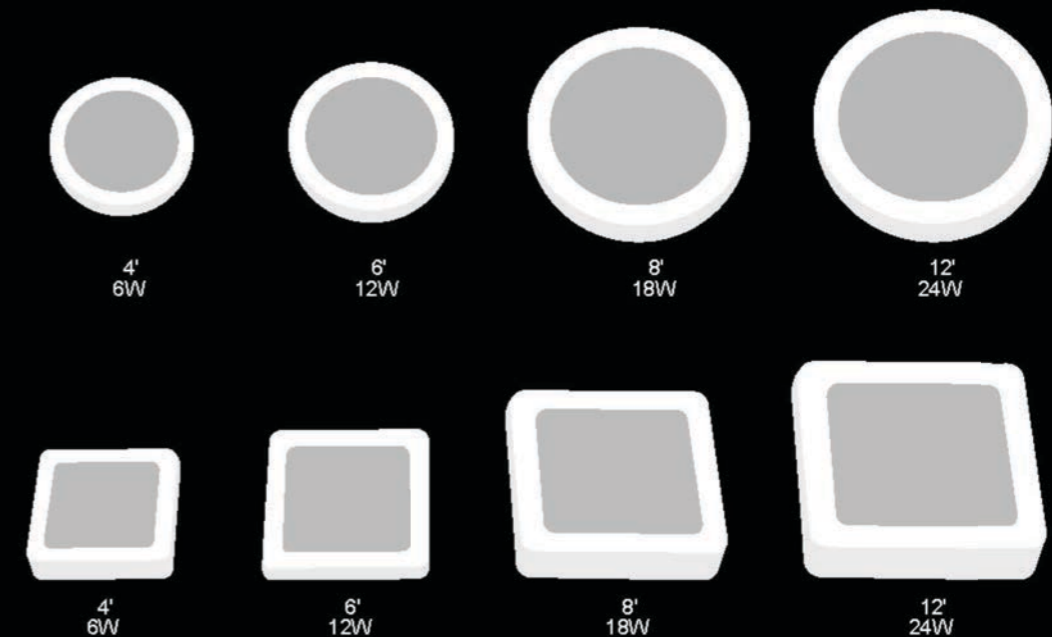


Specification

Inch(")	Watts (w)	Voltage(v)	CCT(K)	Luminous Flux(lm)	CRI	P. F.	Beam Angle(°)	Dimension(mm)	Hole Size(mm)	Life(hrs)	Warranty
2.5"	3W	220-240V 100-240V	6500K/4000K 3000K	240lm	80	0.5	120°	Φ90mm*27mm 90mm*90mm*27mm	Φ70~ Φ80mm 70*70mm- 80*80mm	25000	2years
4"	6W	220-240V 100-240V	6500K/4000K 3000K	480lm	80	0.5	120°	Φ120*27mm 120mm*120mm*27m m	Φ100~ Φ110mm 100*100mm- 110*110mm	25000	2years
5"	9W	220-240V 100-240V	6500K/4000K 3000K	720lm	80	0.5	120°	Φ150*27mm 150mm*150mm*27m m	Φ125~ Φ135mm 125*125mm- 135*135mm	25000	2years
6"	12W	220-240V 100-240V	6500K/4000K 3000K	960lm	80	0.5	120°	Φ165*27mm 165mm*165mm*27m m	Φ140~ Φ160mm 140*140mm- 160*160mm	25000	2years
8"	18W	220-240V 100-240V	6500K/4000K 3000K	1440lm	80	0.5	120°	Φ220*27mm 220mm*220mm*27m m	Φ195~ Φ210mm 195*195mm- 210*210mm	25000	2years
12"	24W	220-240V 100-240V	6500K/4000K 3000K	1920lm	80	0.5	120°	Φ295*27mm 295mm*295mm*27m m	Φ270~ Φ285mm 270*270mm- 285*285mm	25000	2years

Multiple Options for Diverse Installation Needs

Mounted series from 4inch to 12inch



Specification

Inch(")	Watts (w)	Voltage(v)	CCT(K)	Luminous Flux(lm)	CRI	P. F.	Beam Angle(°)	Dimension(mm)	Life(hrs)	Warranty
4"	6W	220-240V 100-240V	6500K/4000K 3000K	480lm	80	0.5	120°	Ø123*32.5mm 123mm*123mm*32.5 mm	25000	2years
6"	12W	220-240V 100-240V	6500K/4000K 3000K	960lm	80	0.5	120°	Ø168*32.5mm 168mm*168mm*32.5 mm	25000	2years
8"	18W	220-240V 100-240V	6500K/4000K 3000K	1440lm	80	0.5	120°	Ø223*32.5mm 223mm*223mm*32.5 mm	25000	2years
12"	24W	220-240V 100-240V	6500K/4000K 3000K	1920lm	80	0.5	120°	Ø298*32.5mm 298mm*298mm*32.5 mm	25000	2years

LED SMART HOME



PRODUCT DISPLAY



Product Features

Plastic with Aluminum inside All-plastic

Applications

Lamp is suitable for Houses, Offices, Stores, Hotels, Restaurants, Schools, Supermarkets.

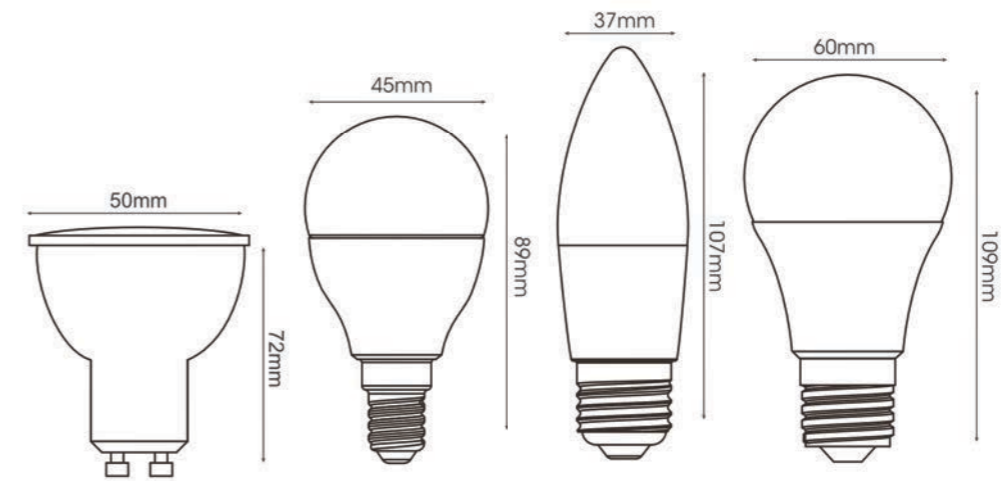
Caution

Please do not touch the surface
Please turn off the power before changing the light bulb
Do not use in wet conditions
Do not install with the enclosed lamp

PRODUCT DATA

MODE NO.	GU10/C37/B45/A60
Dimension	50x72mm/37x107mm/45x89mm/60x109mm
Base Type	GU10/E14/E27
Watt	5W/7W/10W
Lument10% (LM)	320/450/860lm
CCT	3000K/4000K/6500K
CRI	>80
Lifespan	25000H
Angle	100°/160°/180°
Voltage	AC175-250V/AC220-240V
PF	0.5

SHAPE SIZE



PACKAGE

1pcs/Products 1pcs/Paper Box → 10pcs/Heat-Shrink Bag → 100pcs/Master Carton

GU10

Single Box: 50x50x75mm
Carton: 530x270x170mm

B45

Single Box: 47x47x91mm
Carton: 500x255x200mm

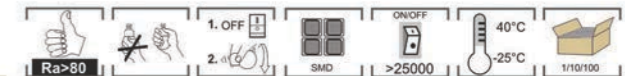
C37

Single Box: 40x40x108mm
Carton: 430x220x240mm

A60

Single Box: 61x61x111mm
Carton: 640x325x240mm

CE RoHS BSCI CO2 ISO9001 25.000H





TV SYNC STRIP LIGHT

Patent certification

Wi-Fi+Bluetooth

App, Control Box



Color Sync WiFi TV LED Backlights with Camera



Power Output	12V 2A(max)
Suitable TV Size	55-70 inches
Length for TV LED Backlights	15.4ft / 4.7m
Camera data cable	Type-C
Power Input	AC100-240V
Wireless Type	WiFi 2.4GHz Bluetooth
LED Type	RGBIC 5050 , 30D/M
LED Color	RGB IC
Camera	0.3 mega-pixel , Support WiFi 2.4GHz
Control Box	Support WiFi 2.4GHz+Bluetooth
Indicator Light	Red Light
Switch	ON/OFF
Smart APP	LIGHT LITE APP, Support Customized APP
Product Warranty	2 Years

Smart APP Control



Use the Light Lite app to power your lights on/off or select light modes from anywhere with a Wi-Fi connection.

Immersion RGBIC TV Backlight



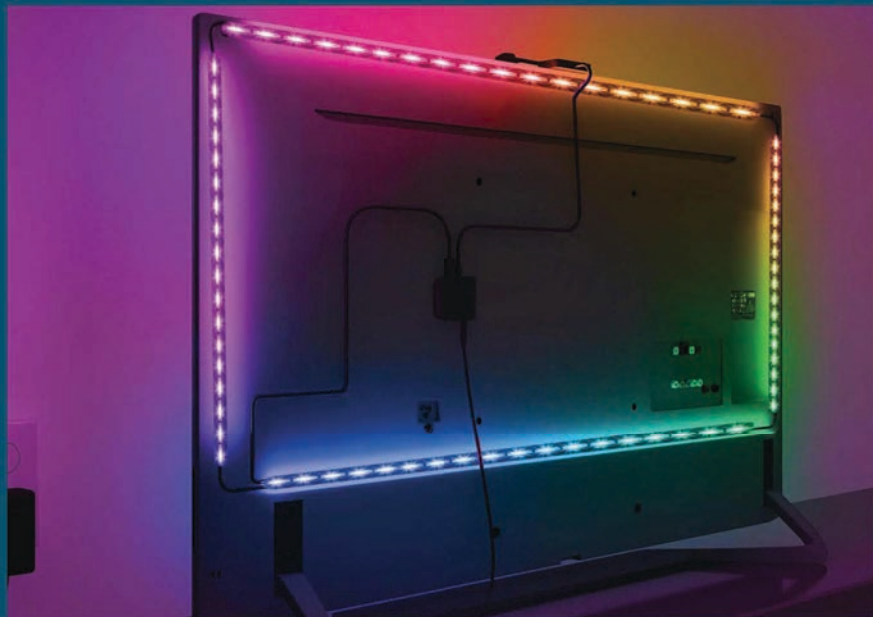
Fully immerse in your video games, movies, or TV shows with our LED TV backlights. It's time for you to reinvent your viewing experience with more color and less eye fatigue.

Color-sensing Technology



ColorSense 480p camera intelligently recognizes and captures the colors onscreen and applies them to the backlights automatically. Higher resolution with more accurate color recognition.

Every Side Covered



This RGBIC TV backlights are perfect for most 55–70inches flatscreens Reinvent how you binge-watch your favorite TV shows with dynamic colors emitting from every corner of your TV.

This backlight is not optimized to work with curved TVs.

Multiple Color at One Time



For those who want more multiple color, you'll love it, which made possible by our RGBIC technology. Personalize every segment on a single strip light for a more vibrant viewing experience.

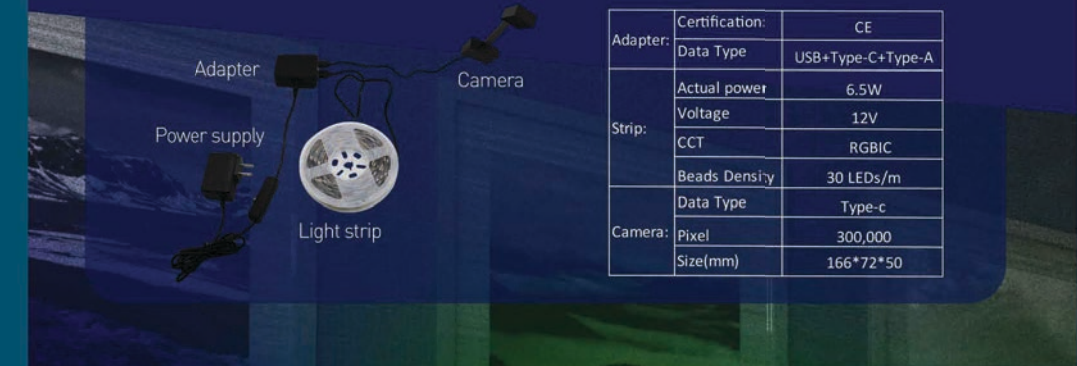
IMMERSION RGBIC TV BACKLIGHT

Patent certification

Wi-Fi+Bluetooth

App, Control Box

Premium TV strip kit with color picking camera
LED Strip Lights(3.8M)+Adapter+Control Box+Camera



Adapter:	Certification:	CE
	Data Type	USB+Type-C+Type-A
Strip:	Actual power	6.5W
	Voltage	12V
	CCT	RGBIC
	Beads Density	30 LEDs/m
Camera:	Data Type	Type-c
	Pixel	300,000
	Size(mm)	166*72*50